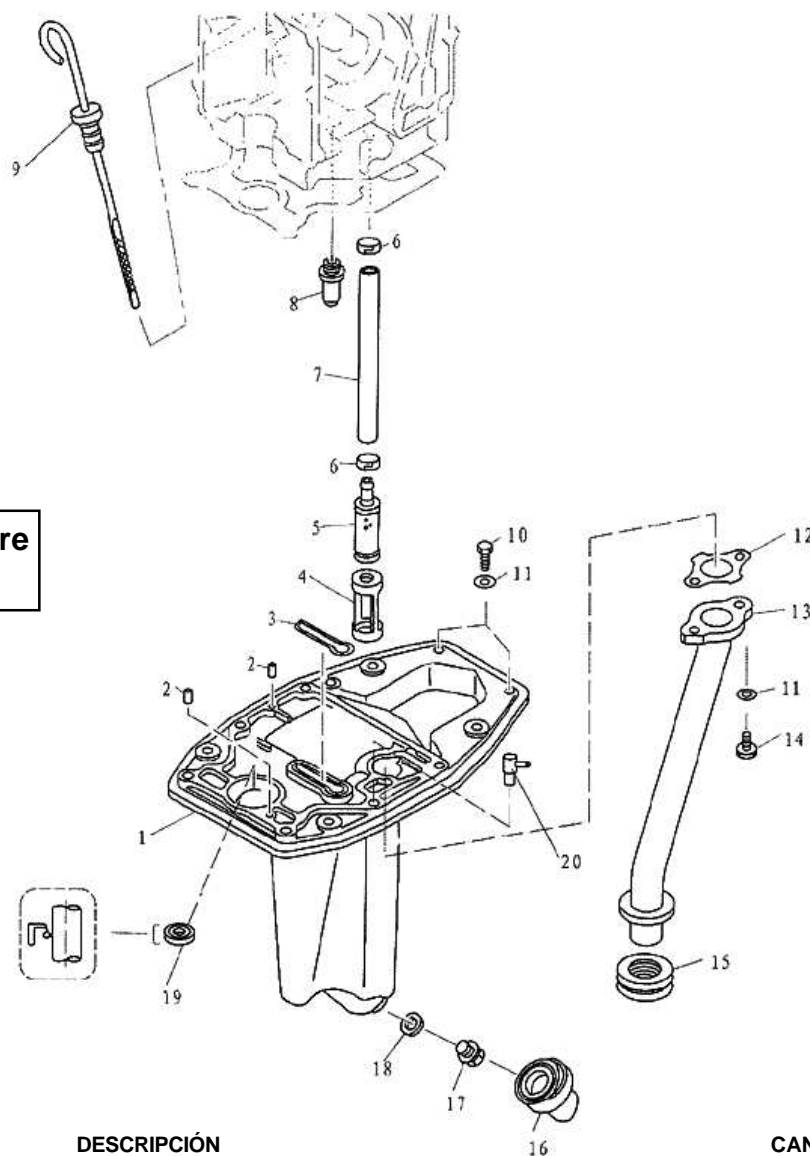


CARTER ACEITE - Oil pan - Coppa dell'olio

**MOTOR - Engine - Motore
F9.9, F13.5 & F15**



Nº	REF. PARSUN Ref. Parsun Ref. Parsun	DESCRIPCIÓN Description Descrizione	CANTIDAD Qty Quantità
1	PAF15-04000001	OIL SUMP	1
2	PAF15-00000006	PIN, DOWEL	1
3	PAF15-04000007	SEAL, ABNORMITY	1
4	PAF15-07120105	JACKET, STRAINER	1
5	PAF15-07120100	STRAINER ASSY	2
6	PAF15-09030002	HOOP A	1
7	PAF15-07120001	PIPE, OIL	1
8	PAF15-07110000	FLOODING VALVE ASSY	1
9	PAF15-00000100	OIL DIP STICK	1
10	PAGB/T5783-2000	BOLT, HEXAGON	2
11	PAGB/T97.1-85	WASHER 6	4
12	PAF15-04000006	GASKET, EXHAUST PIPE	1
13	PAF15-04010000	PIPE, EXHAUST	1
14	PAGB/T5783-2000	BOLT, HEXAGON M6X16	2
15	PAF15-04010004	SEAL, EXT	1
16	PAF15-04000004	JACKET, OIL DRAIN	1
17	PAF15-04000002	BOLT, OIL DRAIN	1
18	PAF15-04000003	WASHER	1
19	PAF15-04000008	OIL SEAL	1
20	PAF15-04000005	WATER NIPPLE	1