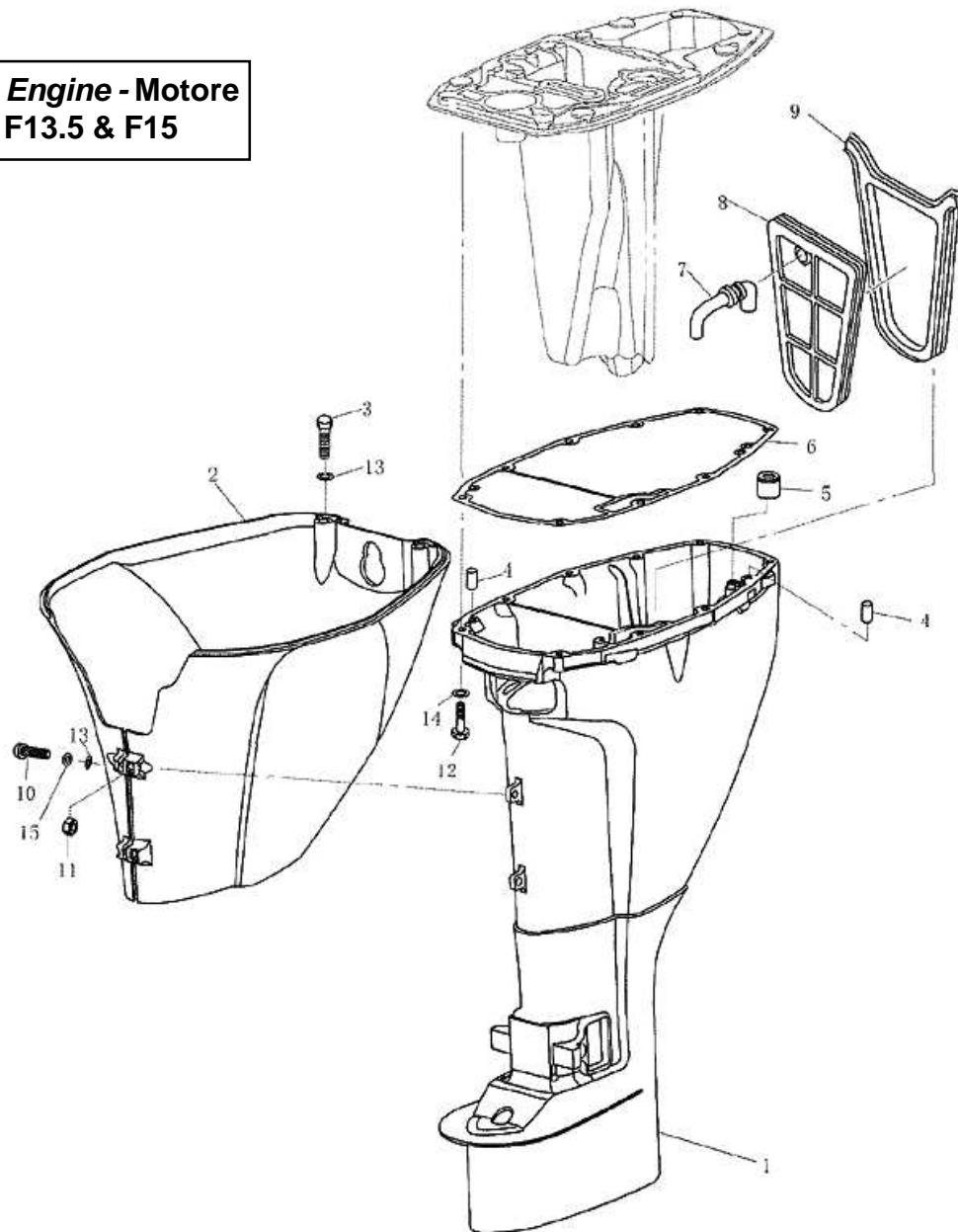


COLA SUPERIOR - Upper casing - Parte superiore piede

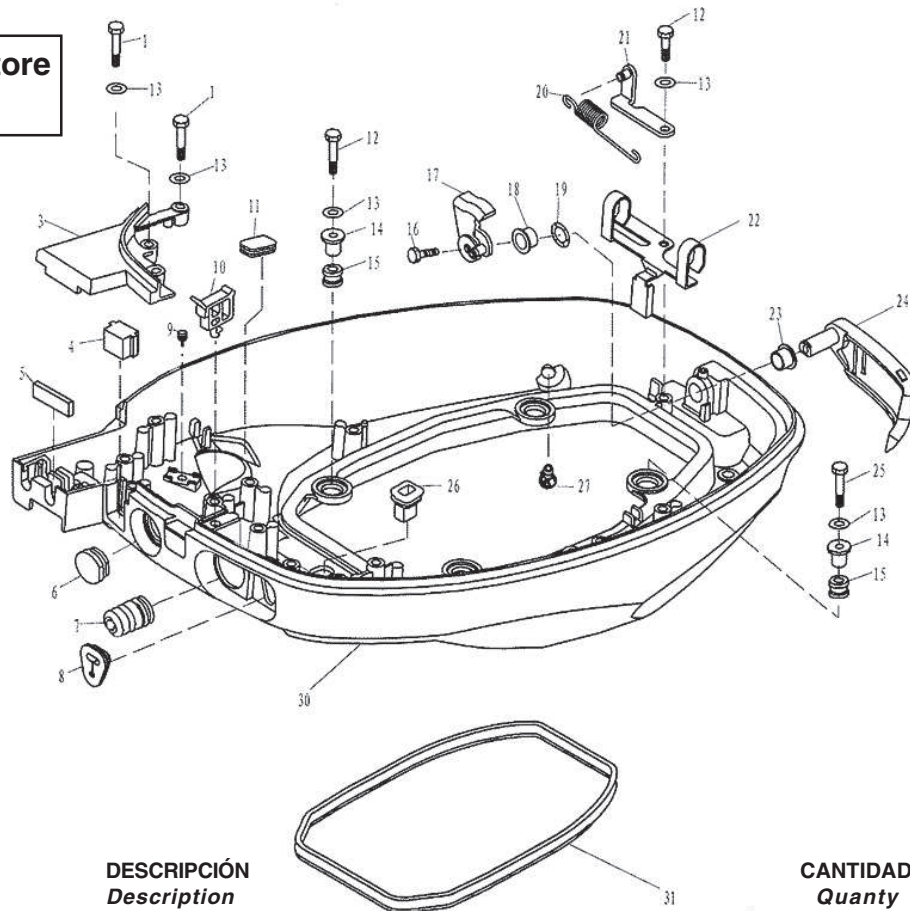
**MOTOR - Engine - Motore
F9.9, F13.5 & F15**



Nº	REF. PARSUN Ref. Parsun Ref. Parsun	DESCRIPCIÓN Description Descrizione	CANTIDAD Quantity Quantità
1	PAF15-02000001	UPPER CASING	1
1	PAF15-02000001S	UPPER CASING SMALL	1
2	PAF15-00000015	MANTLE, UPPER CASING	1
3	PAGB/T5783-2000	HEXAGON BOLT M6X16	2
4	PAF15-00000006	PIN, DOWEL	2
5	PAF15-02000007	SEAL	1
6	PAF15-00000005	GASKET	1
7	PAF15-03000002	RUBBER PIPE, EXHAUST	1
8	PAF15-03000001	CLAPBOARD, EXHAUST	1
9	PAF15-03000003	SEAL, CLAPBOARD	1
10	PAGB/T818-85	BOLT M6X25	2
11	PAGB/T41-2000	NUT, HEXAGON	2
12	PAGB/T5783-2000	BOLT, HEXAGON M8X45	6
13	PAGB/T97.1-85	WASHER 6	4
14	PAGB/T97.1-85	WASHER 8	6
15	PAGB/T93-87	WASHER, SPRING	2

BANDEJA - Bottom cowling - Base calandra

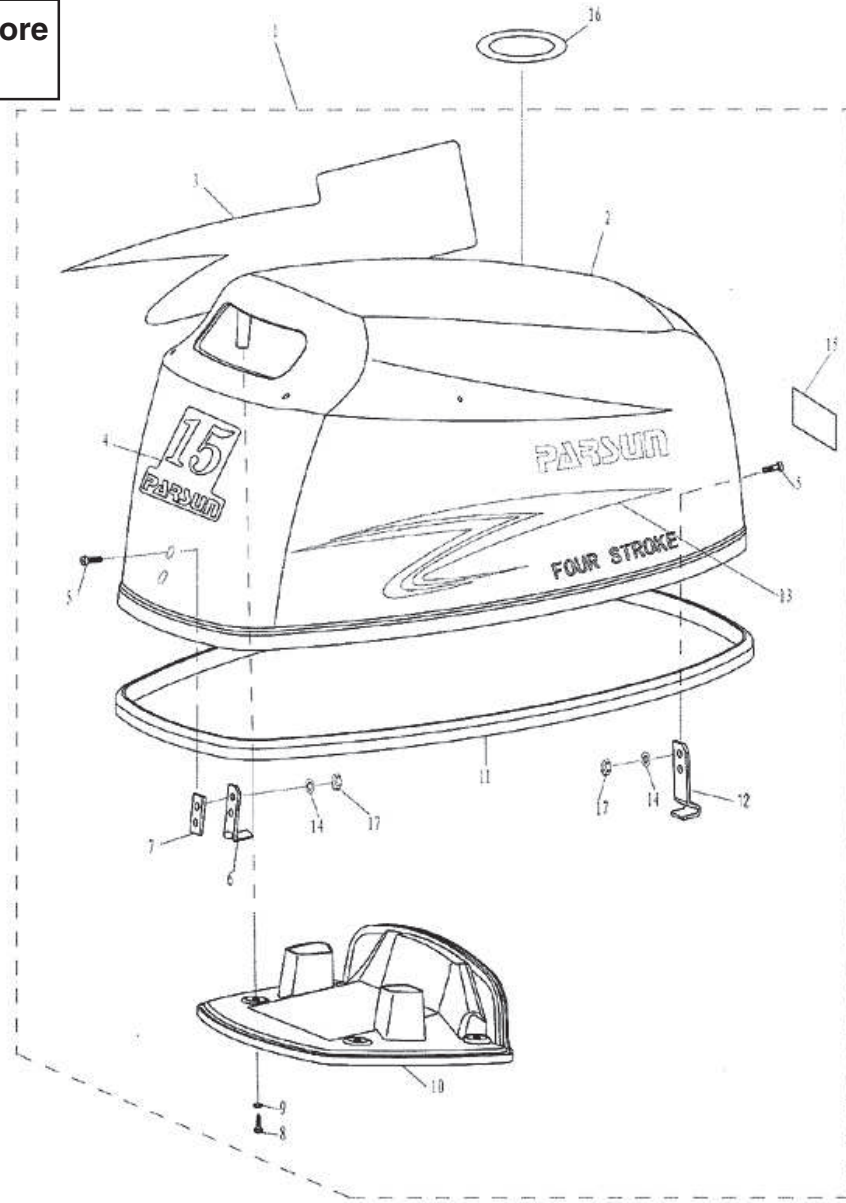
**MOTOR - Engine - Motore
F9.9, F13.5 & F15**



Nº	REF. PARSUN Ref. Parsun Ref. Parsun	DESCRIPCIÓN Description Descrizione	CANTIDAD Qty Quantità
1	PAGB/T5783-2000	BOLT HEXAGON M6X30	3
2	PAF15-05000019	ORIENTED PLATE, CHOKE	1
3	PAF15-05000018	COVER BOARD, BOTTOM COWLING	1
4	PAF15-05010002	SHEATH, CHOKE	1
5	PAF15-05000017	SEAL, RUBBER	1
6	PAF15-05000007	RUBBER PLUG, CIRCULAR	1
7	PAF15-05000006	SHEATH, WAVE	1
8	PAF15-01000015	JACKET, CABLE	1
9	PAF15-05000015	RUBBER PLUG, NEEDLE	1
10	PAF15-05000008	CLAMP A	1
11	PAF15-05000003	RUBBER PLUG, QUADRATE	1
12	PAGB/T5783-2000	BOLT HEXAGON M6X25	2
13	PAGB/T97.1-85	WASHER 6	10
14	PAF15-05000005	BUSHING, DAMPER	4
15	PAF15-05000004	DAMPER	4
16	PAGB/T5783-2000	BOLT, HEXAGON M6X12	1
17	PAF15-05030000	LOCKING ASSY, TOP COWLING	1
18	PAF15-05000036	BUSHING B	1
19	PAF15-05000023	WASHER, WAVE	1
20	PAF15-05000026	SPRING, TENSION	1
21	PAF15-05000025	BRACKET ASSY, TENSIONAL SPRING	1
22	PAF15-05000024	CLIP, WATER PIPE	1
23	PAF15-05000022	BUSHING A	1
24	PAF15-05020000	LOCKING HANDLE ASSY, TOP COWLING	1
25	PAGB/T5783-2000	BOLT, HEXAGON M6X35	2
26	PAF15-05000033	JACKET, LEVER	1
27	PAF15-05000009	NIPPLE, PLASTIC	1
28	PAGB/T5783-2000	BOLT, HEXAGON M6X20	2
29	PAF15-05000021	COVERING	2
30	PAF15-05000001	BOTTOM COWLING	1
31	PAF15-05000002	SEAL, BOTTOM COWLING	1

TAPA MOTOR - Top cowling assy - Calandra

MOTOR - Engine - Motore
F9.9, F13.5 & F15



Nº	REF. PARSUN Ref. Parsun Ref. Parsun	DESCRIPCIÓN Description Descrizione	CANTIDAD Quantity Quantità
1	PAF15-0800000	TOP COWLING ASSY	1
2	PAF15-0800001	TOP COWLING	1
3	PAF15-1200009	MARK 9	1
4	PAF15-1200007	MARK 7	1
4	PAF15-1200007a	MARK 7 "a" F15 F9.9	1
5	PAGB/T818-2000	SCREW, PAN HEAD	2
6	PAF15-0800004	POTHOOK	1
7	PAF4-0600006	UNDERLAY, POTHOOK	1
8	PAGB/T845-85	SCREW, TAPPING	4
9	PAF4-0600004	UNDERLAY, RUBBER	4
10	PAF15-0800003	COVER, TOP COWLING MUFFLE	1
11	PAF15-0800002	SEAL	1
12	PAF15-0800005	HOOK, LOCKING	1
13	PAF15-1200010	MARK 10	1
14	PAGB/T97.1-85	WASHER 5	4
15	PAF15-1200008	MARK 8	1
15	PAF15-1200008a	MARK 8 "a" F15 F9.9	1
16	PAF4-08000107	MARK 3	1
17	PAGB/T6170-86	NUT M5	4