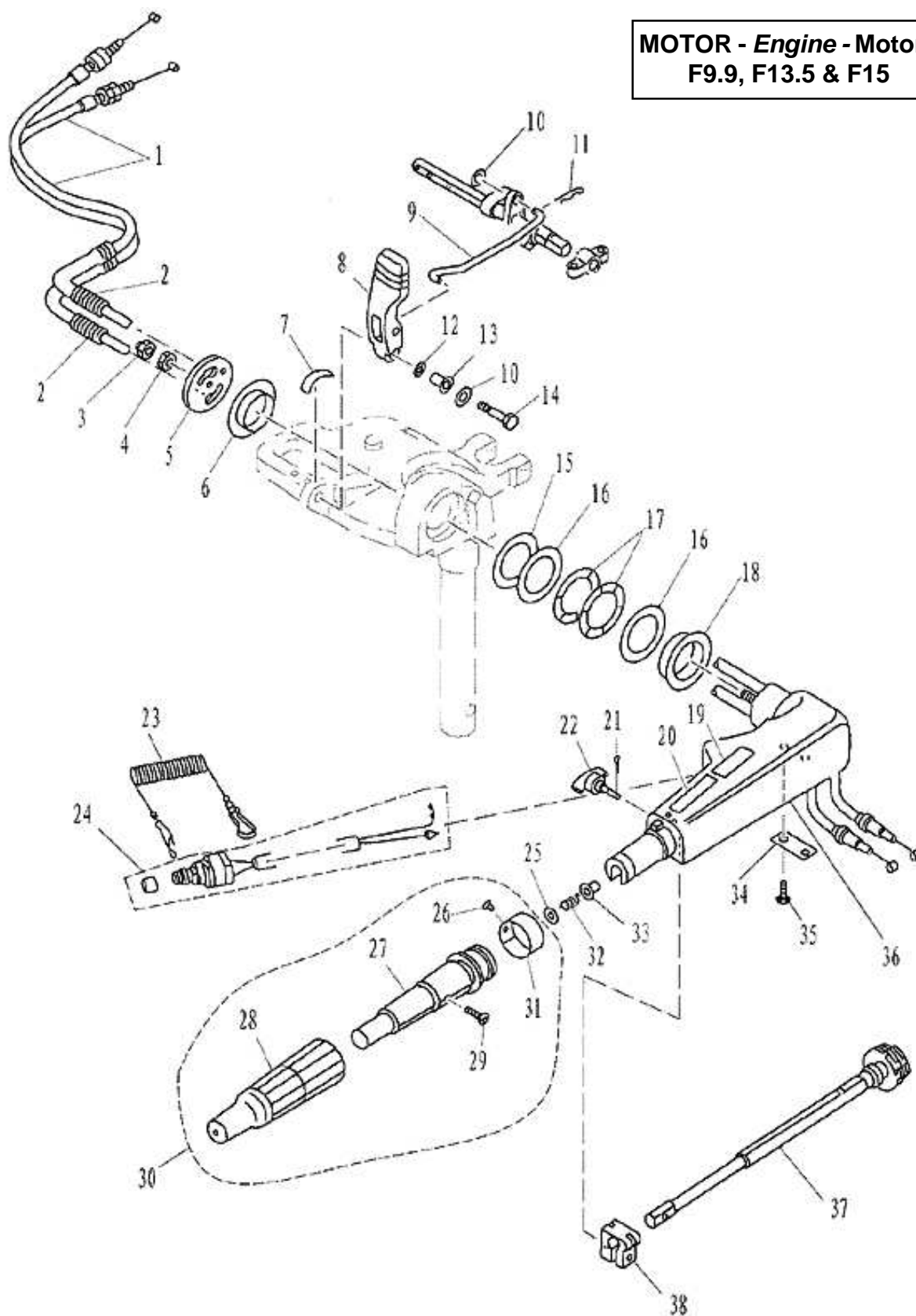


DIRECCIÓN - Steering - Sterzo

MOTOR - Engine - Motore
F9.9, F13.5 & F15



DIRECCIÓN - Steering - Sterzo

| Nº | REF. PARSUN <i>Ref. Parsun</i> Ref. Parsun | DESCRIPCIÓN <i>Description</i> Descrizione | CANTIDAD <i>Qty</i> Quantità |
|----|--|--|------------------------------------|
| 1 | PAF15-01030004 | THROTTLE CABLE ASSY | 2 |
| 2 | PAF15-01000014 | TUBE, WAVE PLASTIC | 2 |
| 3 | PAGB/T889-86 | LOCKNUTM10X1.25 | 4 |
| 4 | PAGB/T6171-86 | NUTM10X1.25 | 1 |
| 5 | PAF15-01000013 | PLATE, HANDLE ORIENTATION | 1 |
| 6 | PAF15-01000011 | WASHER, HANDLE (LOW) | 1 |
| 7 | PAF15-12000011 | MARK 11 | 1 |
| 8 | PAF15-00000007 | HANDLE, GEAR SHIFT | 1 |
| 9 | PAF15-00000011 | LINK, SHIFT ROD | 1 |
| 10 | PAGB/T97.1-85 | WASHER, PLAIN | 2 |
| 11 | PAF15-00000012 | SPRING, CLAMP | 1 |
| 12 | PAF15-00000009 | WASHER, PLAIN | 2 |
| 13 | PAF15-00000008 | TUBE, FLANGE | 2 |
| 14 | PAGB/T5783-2000 | HEXAGONBOLTM6X30 | 1 |
| 15 | PAF15-01000012 | WASHER, NYLON | 1 |
| 16 | PAF15-01000008 | WASHER | 2 |
| 17 | PAF15-01000009 | WASHER, WAVE | 2 |
| 18 | PAF15-01000007 | BUSH, HANDLE | 1 |
| 19 | PAF4-08000105 | MARK 5 | 1 |
| 20 | PAF4-08000104 | MARK 4 | 1 |
| 21 | PAGB/T91-86 | PIN, COTTER | 1 |
| 22 | PAF15-01030200 | BOLT | 1 |
| 23 | PAF4-01090401 | STOPER, HANG ROPE ASSY | 1 |
| 24 | PAF4-01090400 | ENGINE STOP SWITCH ASSY | 1 |
| 25 | PAGB/T848-85 | SMALL WASHER 10 | 1 |
| 26 | PAGB/T827-86 | RIVER, SEMICIRCLE | 1 |
| 27 | PAF4-01090301 | GRIP, STEERING HANDLE | 1 |
| 28 | PAF4-01090302 | RUBBER, HANDLE | 1 |
| 29 | PAGB/T820-85 | SCREWM5X25 | 1 |
| 30 | PAF4-01090300 | STEERING HANDLE ASSY | 1 |
| 31 | PAF4-01090303 | INDICATOR THROTTLE | 1 |
| 32 | PAF4-01090007 | SPRING, COMPRESSION | 1 |
| 33 | PAF4-01090006 | BUSH | 1 |
| 34 | PAF15-01030005 | STAY | 1 |
| 35 | PAGB/T5783-2000 | HEXAGONBOLTM6X20 | 2 |
| 36 | PAF15-01030001 | HANDLE STEERING | 1 |
| 37 | PAF15-01030100 | LEVER, THROTTLE ASSY | 1 |
| 38 | PAF4-01090003 | FRICION | 1 |