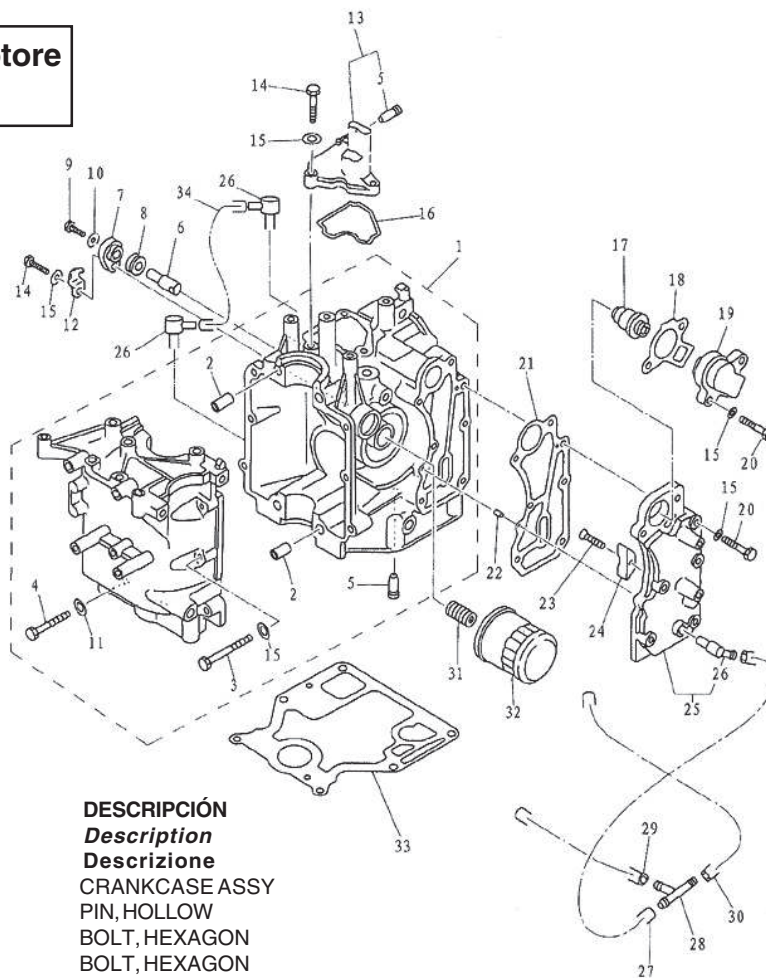


## BLOQUE 1 - Cylinder & crandcase 1 - Blocco 1

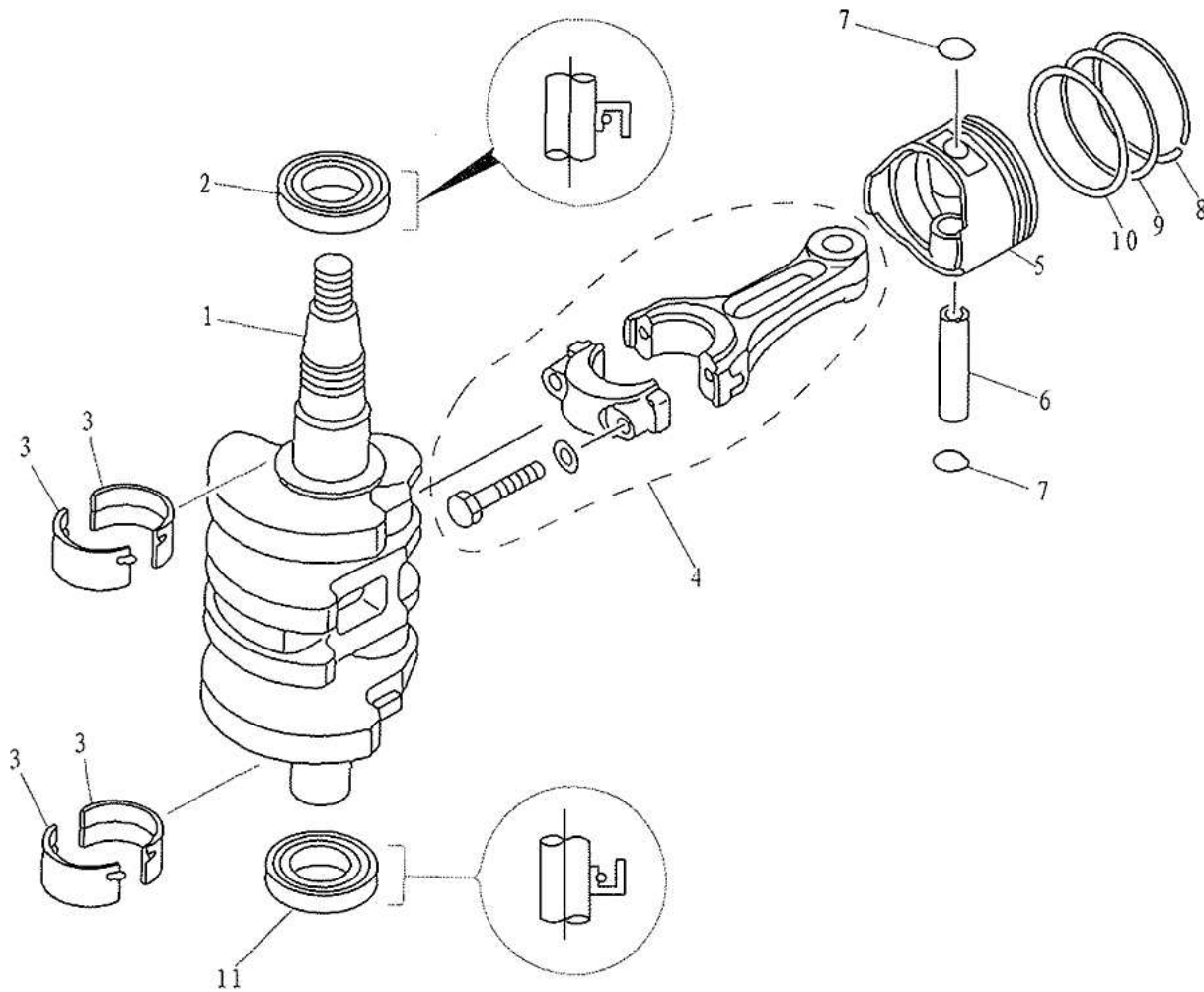
**MOTOR - Engine - Motore**  
**F9.9, F13.5 & F15**



Nº	REF. PARSUN Ref. Parsun Ref. Parsun	DESCRIPCIÓN Description Descrizione	CANTIDAD Qty Quantità
1	PAF15-07010000	CRANKCASE ASSY	1
2	PAF15-07000001	PIN, HOLLOW	2
3	PAGB/T5783-2000	BOLT, HEXAGON	6
4	PAGB/T5783-2000	BOLT, HEXAGON	4
5	PAF15-07010006	PIPE, JOINT	2
6	PAF15-07010008	ANODE	1
7	PAF15-07010011	COVER, ANODE	1
8	PAF15-07010009	GROMMET, ANODE	1
9	PAGB/T5783-2000	SCREW, PAN HEAD	1
10	PAGB/T97.1-85	WASHER 5	1
11	PAGB/T97.1-85	WASHER 8	4
12	PAF15-07010012	PLATE, ANODE	1
13	PAF15-07010013	COVER, BREATHER	1
14	PAGB/T5783-2000	BOLT	4
15	PAGB/T97.1-85	WASHER 6	17
16	PAF15-07010014	BREATHER GASKET	1
17	PAF4-04000036	THERMOSTAT	1
18	PAF15-07010022	GASKET, THERMOSTAT	1
19	PAF15-07010021	COVER, THERMOSTAT	1
20	PAGB/T5783-2000	BOLT	7
21	PAF15-07010018	GASKET, EXHAUST OUTER COVER	1
22	PAF15-00000013	PIN	2
23	PAGB/T5783-2000	SCREW	1
24	PAF15-07010026	ANODE	1
25	PAF15-07010019	OUTER COVER, EXHAUST	1
26	PAF15-04000005	WATER NIPPLE	3
27	PAF15-05000012	HOSE A	1
28	PAF15-05000011	THREE-WAY PIPE	1
29	PAF15-05000013	HOSE B	1
30	PAF15-05000014	HOSE C	1
31	PAF15-07010003	BOLT UNION	1
32	PAF15-07010023	OIL CLEANER	1
33	PAF15-00000014	GASKET, ENGINE	1
34	PAF15-07010007	HOSE, RETURN OIL	1

## CIGÜEÑAL Y PISTONES - Crankshaft & piston - Albero motore

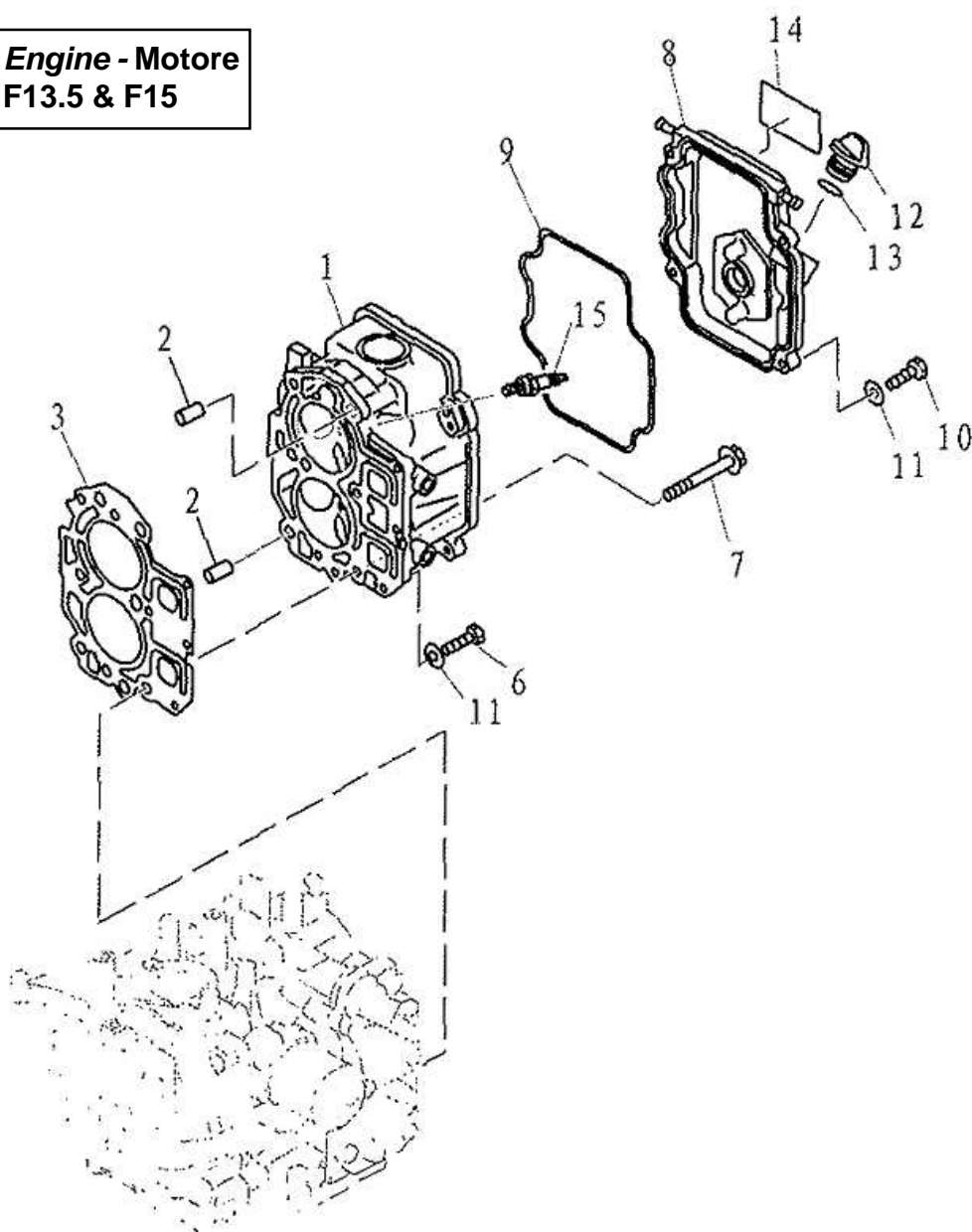
**MOTOR - Engine - Motore**  
**F9.9, F13.5 & F15**



Nº	REF. PARSUN Ref. Parsun	DESCRIPCIÓN Description Descrizione	CANTIDAD Quantity Quantità
1	PAF15-07030000	CRANK ASSY	1
2	PAF15-07030006	OIL SEAL A	1
3	PAF15-07010024	MAIN BEARING	4
4	PAF15-07020100	ROD, CONNECTING	2
5	PAF15-07020001	PISTON	2
6	PAF15-07020006	PIN, PISTON	2
7	PAF15-07020005	CIRCLIP	4
8	PAF15-07020002	PISTON RING I	2
9	PAF15-07020003	PISTON RING II	2
10	PAF15-07020004	COMBINATION OIL RING	2
11	PAF15-07030007	OIL SEAL B	1
12	PAF15-07020104	WASHER, PLATE	4
13	PAF15-07020103	BOLT CONNECTING ROD	4

## BLOQUE 2 - Cylinder & cranckase 2 - Blocco 2

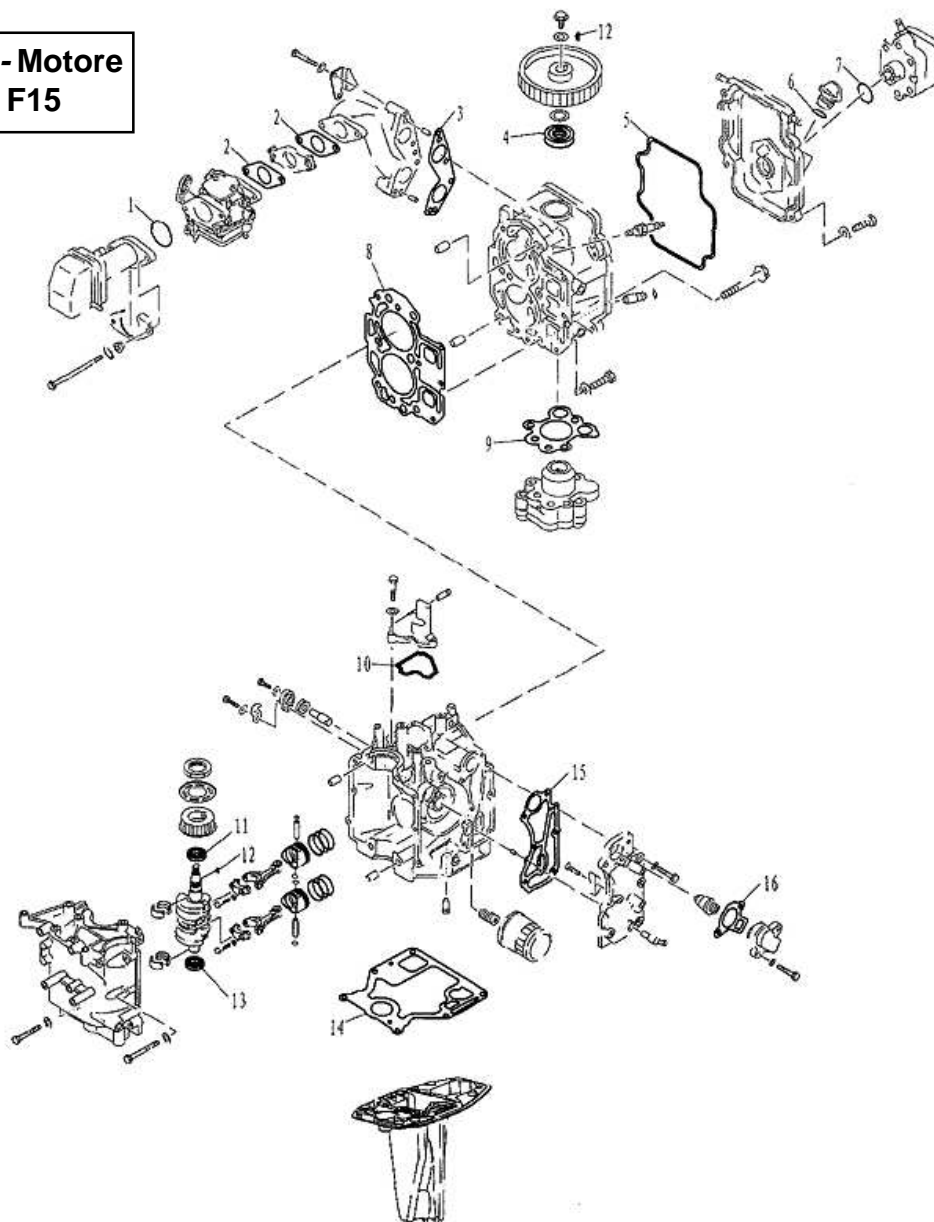
**MOTOR - Engine - Motore**  
F9.9, F13.5 & F15



Nº	REF. PARSUN <i>Ref. Parsun</i> Ref. Parsun	DESCRIPCIÓN <i>Description</i> Descrizione	CANTIDAD <i>Quantity</i> Quantità
1	PAF15-07040100	CYLINDER HEAD ASSY	1
2	PAF15-07000001	HOLLOW PIN	2
3	PAF15-07000100	GASKET, CYLINDER HEAD	1
4	PAF15-07040104	VALVE GUIDE BUSH	4
5	PAF15-07040105	CIRCLIP, GUIDE BUSH	4
6	PAGB/T5783-2000	BOLT, HEXAGON	3
7	PAF15-07000028	BOLT, FLANGE	6
8	PAF15-07050001	COVER, CYLINDER HEAD	1
9	PAF15-07050002	SEAL, CYLINDER COVER	1
10	PAGB/T5783-2000	BOLT, HEXAGON	4
11	PAGB/T97.1-85	WASHER, PLATE	7
12	PAF15-07050004	PLUG, OIL	1
13	PAJA80 F404 31-025	O-RING	1
14	PAF15-10030001	MARK4	1
15	NGKDPR7EA-9	SPARK PLUG	2

## APÉNDICE 1 - Appendix 1 - Blocco 1

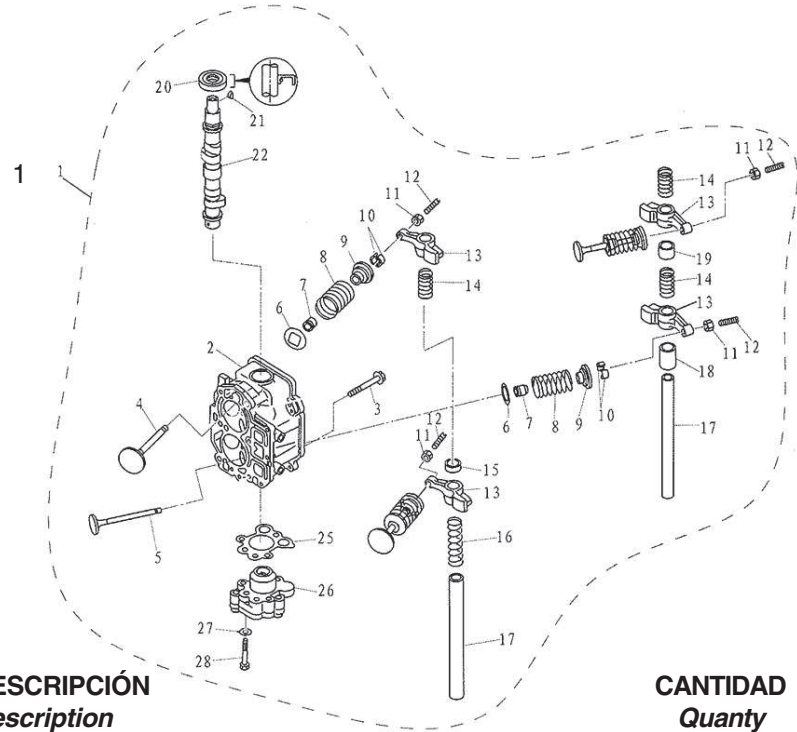
**MOTOR - Engine - Motore  
F9.9, F13.5 & F15**



Nº	REF. PARSUN <i>Ref. Parsun</i> Ref. Parsun	DESCRIPCIÓN <i>Description</i> Descrizione	CANTIDAD <i>Qty</i> Quantità
1	PAGB3452.1-82	O-RING	1
2	PAF15-0700017	GASKET, CARBURETOR	2
3	PAF15-0700007	GASKET, MANIFOLD	1
4	PAF15-07040008	OIL-SEAL	1
5	PAF15-07050002	SEAL, CYLINDER COVER	1
6	PAJASO F404 31-025	O-RING	1
7	PAJASO F404/A-24-021	O-RING	1
8	PAF15-07000100	GASKET, CYLINDER HEAD	1
9	PAF15-07040016	MAT, OILPROOF	1
10	PAF15-07010014	BREATHER GASKET	1
11	PAF15-07030006	OIL SEAL A	1
12	PAGB/T1099-1979	SEMICIRCLE KEY	1
13	PAF15-07030007	OIL SEAL B	1
14	PAF15-00000014	GASKET, ENGINE	1
15	PAF15-07010018	GASKET, EXHAUST OUTER COVER	1
16	PAF15-07010022	GASKET, THERMOSTAT	1

## CULATA COMPLETA - *Cylinder head assy* - Testata completa

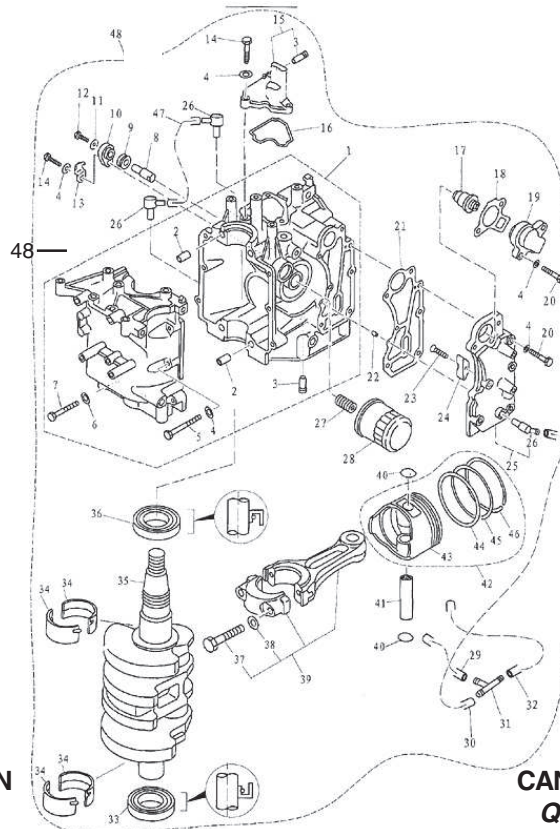
**MOTOR - Engine - Motore**  
F9.9, F13.5 & F15



Nº	REF. PARSUN <i>Ref. Parsun</i> Ref. Parsun	DESCRIPCIÓN <i>Description</i> Descrizione	CANTIDAD <i>Quantity</i> Quantità
1	PAF15-07040000	CYLINDER HEAD ASSY	1

## BLOQUE COMPLETO - *Engine assy* - Blocco completo

**MOTOR - Engine - Motore**  
F9.9, F13.5 & F15



Nº	REF. PARSUN <i>Ref. Parsun</i> Ref. Parsun	DESCRIPCIÓN <i>Description</i> Descrizione	CANTIDAD <i>Quantity</i> Quantità
48	PAF15-07000000	ENGINE ASSY	1