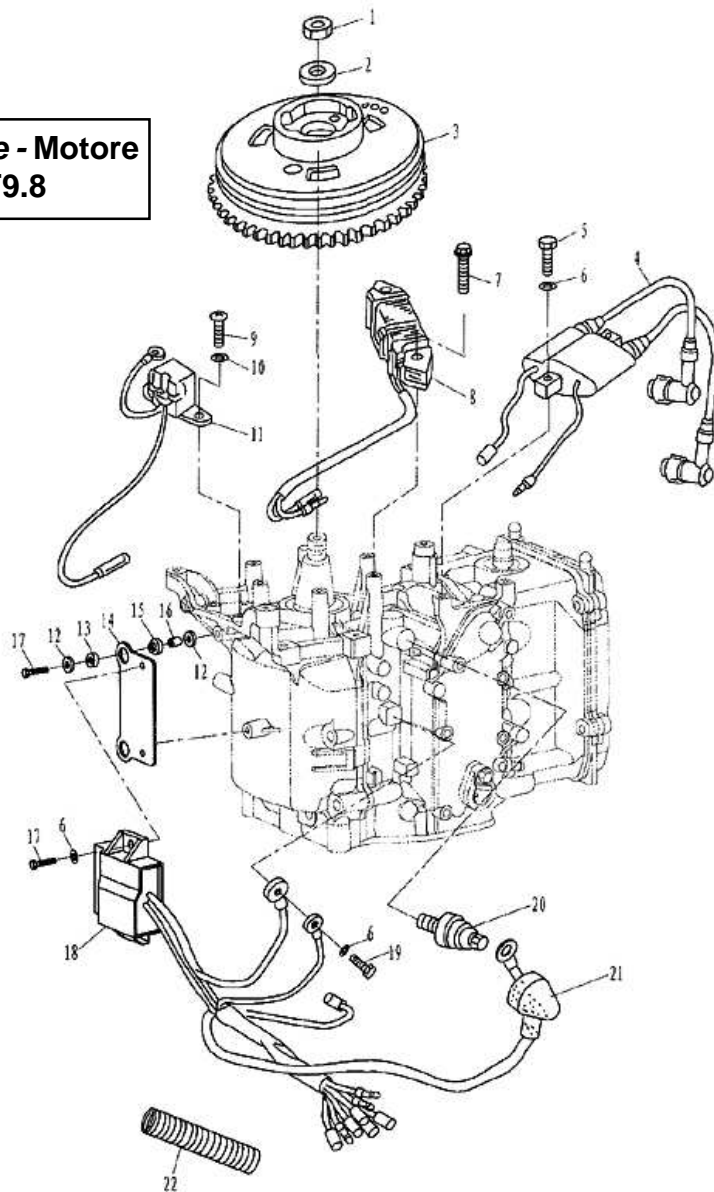


ELECTRICIDAD - *Electrical* - Parte elettrica

**MOTOR - Engine - Motore
F6, F8 & F9.8**



| Nº | REF. PARSUN <i>Ref. Parsun</i> Ref. Parsun | DESCRIPCIÓN <i>Description</i> Descrizione | CANTIDAD <i>Quantity</i> Quantità |
|----|--------------------------------------------------|--------------------------------------------------|-----------------------------------------|
| 1 | PAF8-05000024 | NUT, FLYWHEEL | 1 |
| 2 | PAT15-04000011 | WASHER, FLYWHEEL NUT | 1 |
| 3 | PAF8-05000600 | FLYWHEEL ASSY | 1 |
| 4 | PAF8-05000500 | HIGH PRESSURE ASSY | 1 |
| 5 | PAGB/T5783-M6X25 | BOLTM6X25 | 2 |
| 6 | PAGB/T97.1-6 | WASHER 6 | 5 |
| 7 | PAGB/T5787-M6X30 | BOLTM6X30 | 2 |
| 8 | PAF8-05000300 | COIL | 1 |
| 9 | PAGB/T818-M5X10 | BOLTM5X10 | 2 |
| 10 | PAGB/T97.1-5 | WASHER 5 | 2 |
| 11 | PAF8-05000200 | COIL, PULSER | 1 |
| 12 | PAF8-05000021 | WASHER | 4 |
| 13 | PAF8-05000007 | ABSORBER(A), C.D.I. | 2 |
| 14 | PAF8-05000005 | PLATE, C.D.I | 1 |
| 15 | PAF8-05000011 | ABSORBER(B), C.D.I. | 2 |
| 16 | PAF8-05000006 | TUBE | 2 |
| 17 | PAGB/T5783-M6X16 | BOLTM6X16 | 4 |
| 18 | PAF8-05000400 | C.D.I. UNIT ASSY | 1 |
| 19 | PAGB/T5783-M6X12 | BOLTM6X12 | 1 |
| 20 | PAF15-07010100 | OIL PRESSURE SENSOR | 1 |
| 21 | PAF15-07010101 | JACKET, INSULATION | 1 |
| 22 | PAF15-07000003 | RIPPLE TUBE | 1 |