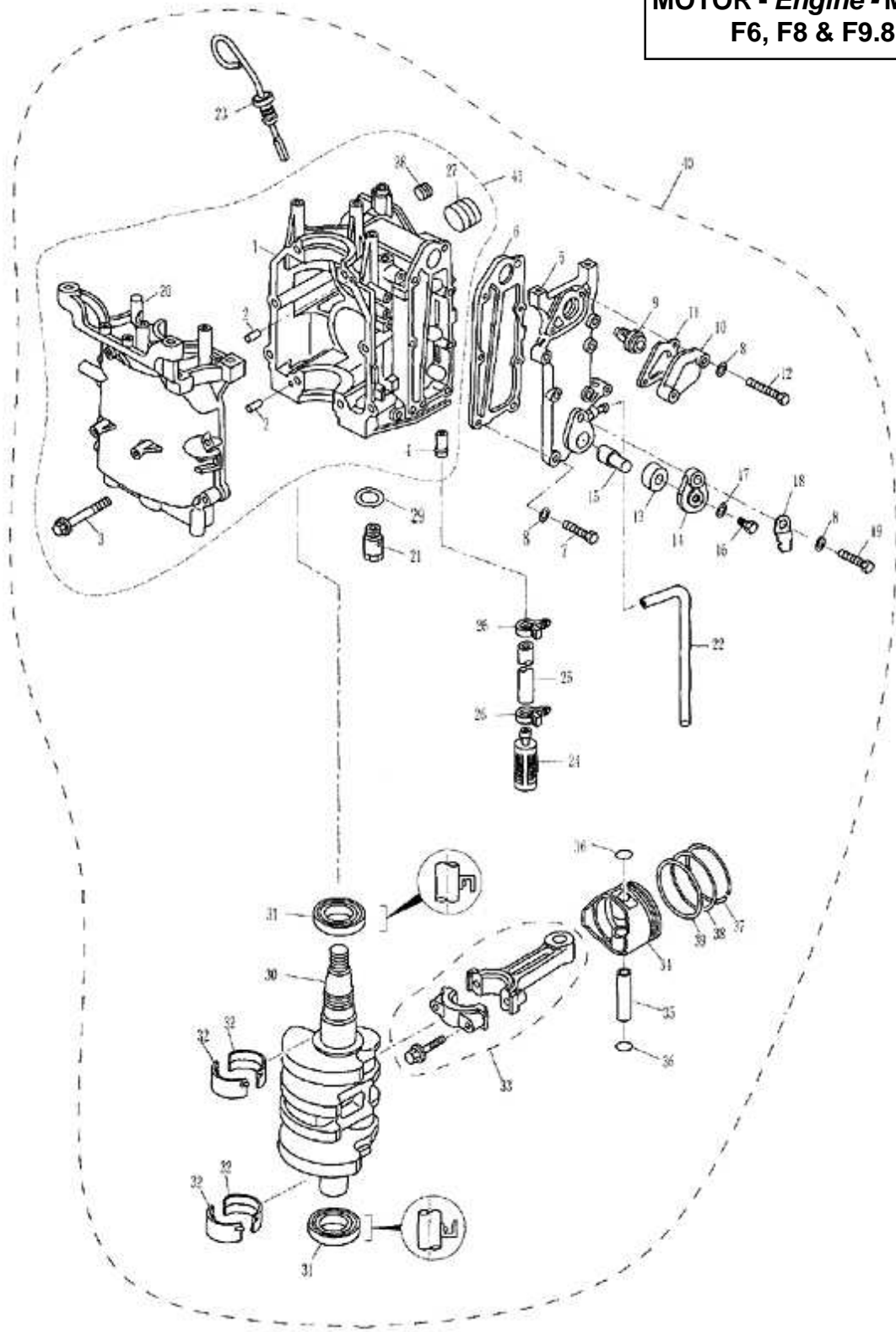


DESPIECE BLOQUE - Engine assy - Blocco motore

**MOTOR - Engine - Motore
F6, F8 & F9.8**

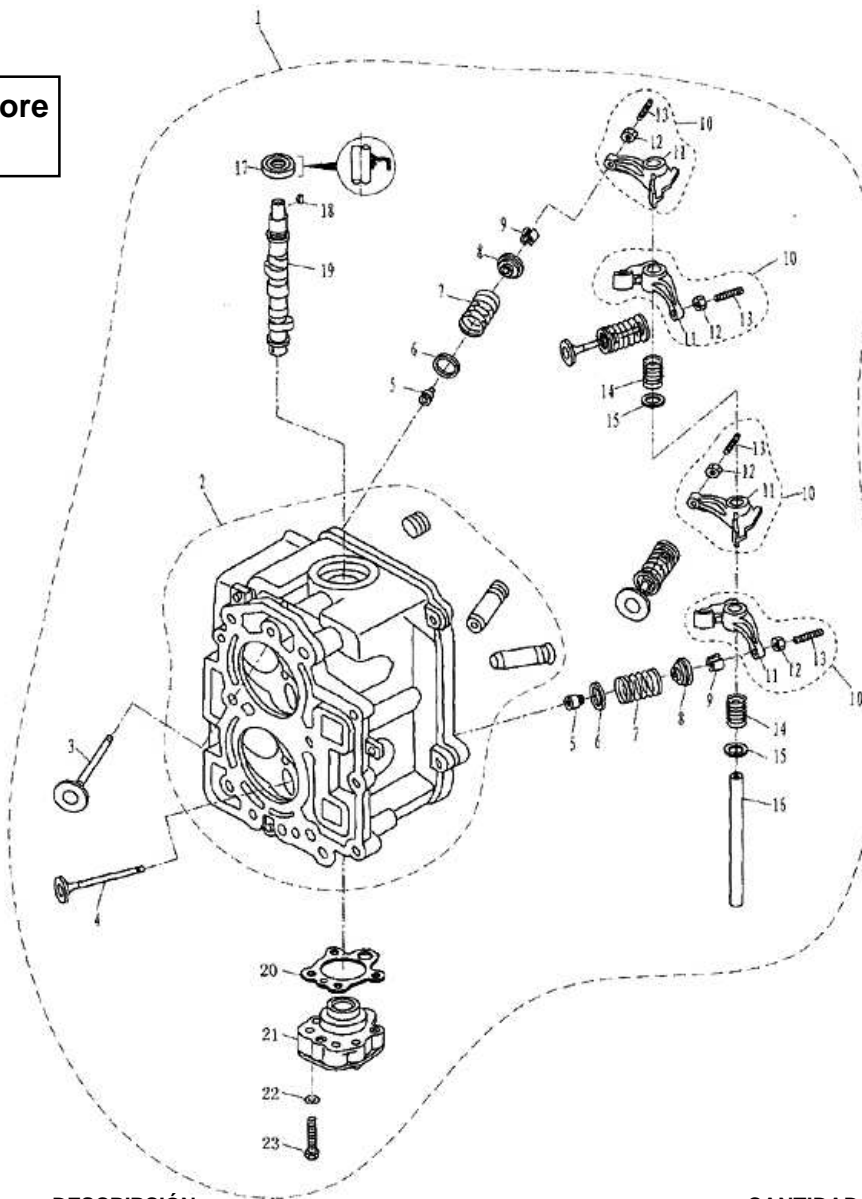


DESPIECE BLOQUE - *Engine assy* - Blocco motore

Nº	REF. PARSUN <i>Ref. Parsun</i> Ref. Parsun	DESCRIPCIÓN <i>Description</i> Descrizione	CANTIDAD <i>Quantity</i> Quantità
1	PAF8-05010001	CYLINDER CASE	1
2	PAF15-00000006	KNOCK 6x12	2
3	PAF15-07000029	BOLT M8x50	8
4	PAF8-05010002	NIPPLE	1
5	PAF8-05010003	EXHAUSTCOVER	1
6	PAF8-05010004	GASKET,EXHAUSTCOVER	1
7	PAGB/T5783-M6x25	BOLT M6x25	5
8	PAGB/T97.1-6	WASHER 6	8
9	PAF4-04000036	THERMOSTAT	1
10	PAF8-05010006	THERMOSTAT COVER	1
11	PAF8-05010005	GASKET, THERMOSTAT COVER	1
12	PAGB/T5783-M6x40	BOLT M6x40	2
13	PAF15-07010009	SEAL, ANODE	1
14	PAF15-07010011	ANODE COVER	1
15	PAF15-07010008	ANODE	1
16	PAGB/T818-M5x12	BOLT M5x12	1
17	PAGB/T97.1-5	WASHER 5	1
18	PAF15-07010012	LOCKING PLATE, ANODE	1
19	PAGB/T5783-M6x20	BOLT M6x20	2
20	PAF8-05010011	CRANK CASE	1
21	PAF8-05000900	PLUNGER	1
22	PAF8-05000024	HOSE	1
23	PAF8-00000200	OIL LEVEL GAUGE	1
24	PAF8-05000800	OIL STRAINER	1
25	PAF8-05000017	HOSE	1
26	PAF8-05000025	HOOP	2
27	PAF15-07010005	STOPPHR 1/4"	2
28	PAF15-07010004	STOPPER 1/8"	2
29	PAGB/3452.1-13.2x1.8	O-RING	6
30	PAF8-05020001	CRANK	1
31	PAF8-05010012	OIL SEAL	2
32	PAF8-05010009	BUSH	4
33	PAF8-05020200	ROD, CONNECTING	2
34	PAF8-057020101	PISTON	2
35	PAF8-05020105	PIN, PISTON	2
36	PAF15-07020005	CIRCLIP	4
37	PAF8-05020102	PISTON RING I	2
38	PAF8-05020103	PISTON RING II	2
39	PAF8-05020104	COMBINATION OIL RING	2
40	PAF8-05000000	ENGINE ASSY	1
41	PAF8-05010000	CRANKCASE ASSY	1

CULATA - Cylinder head - Testata

MOTOR - Engine - Motore
F6, F8 & F9.8



Nº	REF. PARSUN Ref. Parsun Ref. Parsun	DESCRIPCIÓN Description Descrizione	CANTIDAD Quantity Quantità
1	PAF8-05030000	CYLINDER HEAD ASSY	1
2	PAF8-05030100	CYLINDER HEAD SUBASSEMBLY	1
3	PAF8-05030001	VALVE, INTAKE	2
4	PAF8-05030002	VALVE, EXHAUST	2
5	PAPS2700.04.03	SEAL, VALVE STEM	4
6	PAF8-05030004	SEAL, VALVE SPRING	4
7	PAF8-05030005	SPRING, VALVE	4
8	PAF8-05030006	RETAINER, VALVE SPRINGER	4
9	PAF8-05030007	COTTER, VALVE	8
10	PAF8-05030200	ROCKER ASSY	4
11	PAF8-05030201	ROCKER	4
12	PAF15-07040304	LOCKNUT	4
13	PAF15-07040303	SCREW, VALVE ADJUSTING	4
14	PAF8-05030009	SPRING,ROCKER	2
15	PAF8-05030015	BUSHER,ROCKER SPRING	2
16	PAF8-005030010	SHAFT,ROCKER	1
17	PAF8-05030011	OIL SEAL 18x35x7.8	1
18	PAT3.6-04000006	KEY	1
19	PAF8-05030008	CAMSHAFT	1
20	PAF8-05030012	OIL PUMP GASKET	1
21	PAF8-05030300	OIL PUMP	1
22	PAGB/T97.1-6	WASHER 6	3
23	PAGB/T5782-M6x35	BOLT M6x35	3