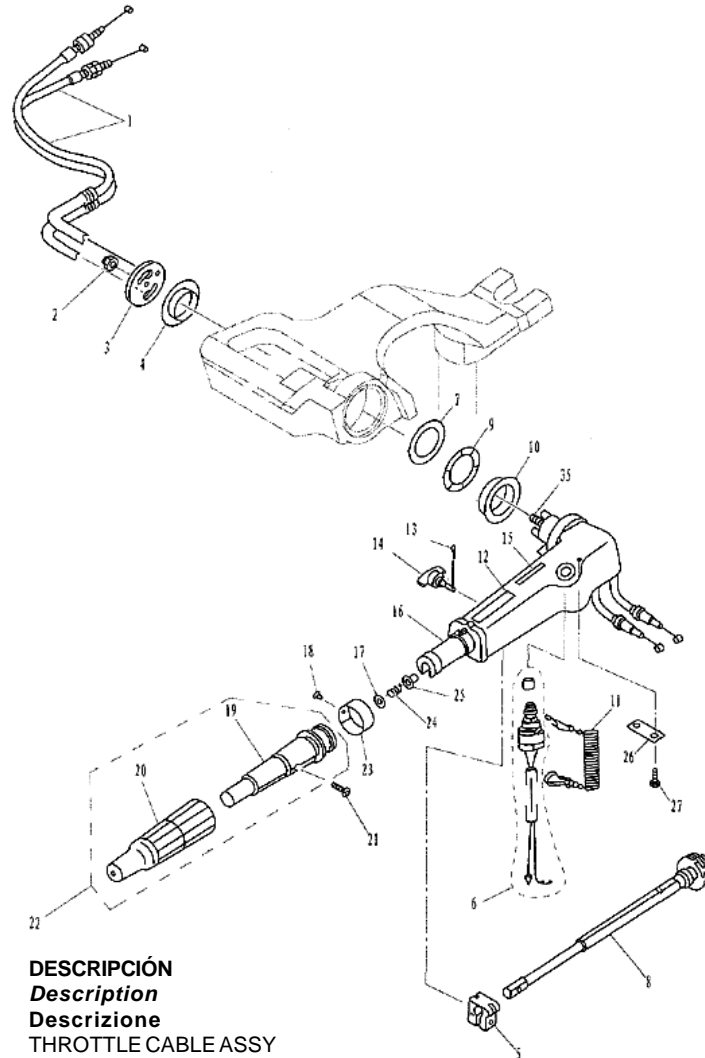


DIRECCIÓN - Steering - Sterzo

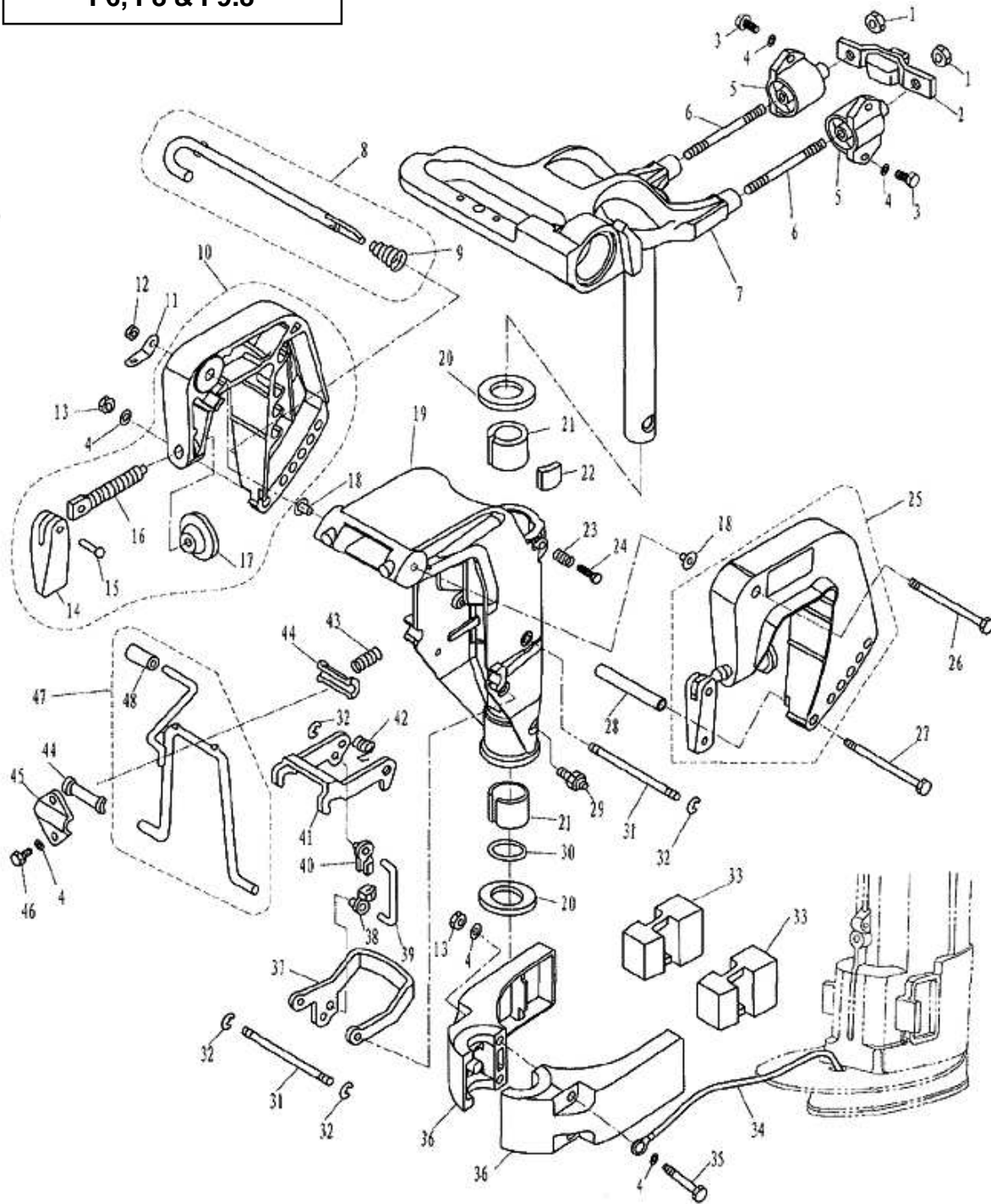
**MOTOR - Engine - Motore
F6, F8 & F9.8**



Nº	REF. PARSUN Ref. Parsun Ref. Parsun	DESCRIPCIÓN Description Descrizione	CANTIDAD Quantity Quantità
1	PAF8-01030100	THROTTLE CABLE ASSY	2
2	PAGB/T889.1-M8	LOCKNUT M8	1
3	PAT15-01000005	PLATE, HANDLE ORIENTATION	1
4	PAT15-01000004	BUSH, HANDLE (LOW)	1
5	PAF4-01090003	FRICITION	1
6	PAT15-01020003	ENGINE STOP SWITCH ASSY	1
7	PAT15-01000003	WASHER, NYLON	1
8	PAF8-01030200	LEVER, THROTTLE ASSY	1
9	PAT15-01000002	WASHER, WAVE	1
10	PAT15-01000001	BUSH, HANDLE (HIGH)	1
11	PAF4-01090401	STOPER, HANG ROPE ASSY	1
12	PAF4-08000104	MARK 4	1
13	PAGB/T91-Ø1.6X12	PIN, COTTER	1
14	PAT15-01020200	HAND BUTTON ASSY	1
15	PAF4-08000105	MARK 5	1
16	PAT15-01020001	HANDLE, STEERING	1
17	PAGB/T848-10	SMALL WASHER 10	1
18	PAGB/T827-2X5	RIVET, SCUTCHEON	1
19	PAF4-01090301	GRIP, STEERING HANDLE	1
20	PAF4-01090302	RUBBER, HANDLE	1
21	PAGB/T820-M5X24	SCREW M5X24	1
22	PAF4-01090300	STEERING HANDLE ASSY	1
23	PAF4-01090303	INDICATOR, ACCELEROGRAPH	1
24	PAF4-01090007	SPRING, COMPRESSION	1
25	PAF4-01090006	BUSH	1
26	PAT15-01020002	STAY	1
27	PAGB/T818-M5X12	SCREW M5X12	2
28	PAGB/T899-M8X25	BOLT, DOUBLE HEAD M8X25	1

SOPORTE MOTOR - *Bracket* - Supporto motore

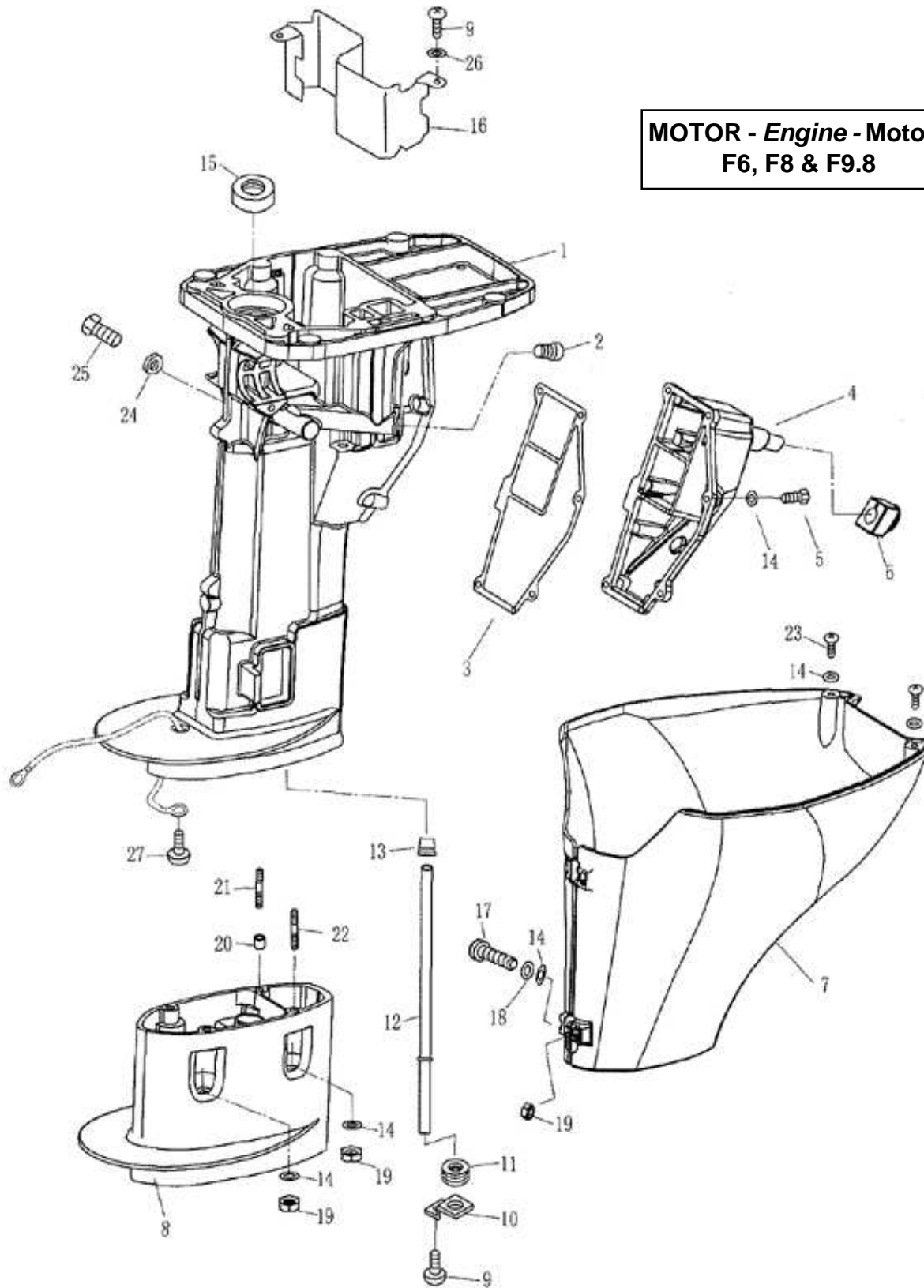
MOTOR - *Engine* - Motore
F6, F8 & F9.8



SOPORTE MOTOR - *Bracket* - Supporto motore

Nº	REF. PARSUN <i>Ref. Parsun</i> Ref. Parsun	DESCRIPCIÓN <i>Description</i> Descrizione	CANTIDAD <i>Qty</i> Quantità
1	PAGB/T889.1-M8	NUT M8	2
2	PAF8-00000100	ABSORBER(FRONT)	1
3	PAGB/T5783-M6X20	BOLT M6X20	4
4	PAGB/T97.1-6	WASHER 6	11
5	PAF8-02000100	ABSORBER ASSY	2
6	PAF8-01000003	DICEPHALOUS BOLT M8X65	2
7	PAF8-01020000	STEER BRACKET ASSY	1
8	PAF8-01010200	THRUST ROD ASSY	1
9	PAF4-01050002	CONICAL SPRING	1
10	PAF4-01020000	BRACKET ASSY(LEFT)	1
11	PAF4-01000002	PLATE, TWO HOLE	1
12	PAGB/T889.1-M8	NUT M8	1
13	PAGB/T6170-M6	NUT M6	3
14	PAF4-01010004	CLAMP HANDLE, STERN	2
15	PAF4-01010005	RIVET, CLAMP HANDLE	2
16	PAF4-01010002	CLAMP SCREW	2
17	PAF4-01010003	CLAMP PAD	2
18	PAF4-01000003	WASHER, NYLON	2
19	PAF8-01010101	ROTARY BRACKET	1
20	PAF8-01000001	WASHER, ROTARY BRACKET	2
21	PAF8-01000002	BUSHING, ROTARY BRACKET	2
22	PAF8-01000100	LOCKING BLOCK ASSY	1
23	PAF8-01010102	SPRING, LOCKING	1
24	PAGB/T5783-M8X30	BOLT M8X30	1
25	PAF4-01010000	BRACKET ASSY(RIGHT)	1
26	PAGB/T5782-M8X140	BOLT M8X140	1
27	PAGB/T5782-M6X130	BOLT M6X130	1
28	PAF8-01010001	TUBE, BOLT	1
29	PAJB/T7940.1-M6	OILER M6	1
30	PAJASO F404 35-022	O-RING (22.4X) 3.5	1
31	PAF8-01010108	SHAFT, ROTARY BRACKET	2
32	PAGB/T896-5	CIRCLIP 5	4
33	PAF8-00000002	ABSORBER	2
34	PAT15-02010100	TIGHTWIRE B	1
35	PAGB/T5782-M6X75	BOLT M6X75	2
36	PAF8-00000001	SHELL, ABSORBER	2
37	PAF8-01010106	OUTER FRAME, ROTARY BRACKET	1
38	PAF8-01010112	TIE-IN, CONNECTING ROD	1
39	PAF8-01010110	CONNECTING ROD, INNER FRAME	1
40	PAF8-01010111	TIE-IN, CONNECTING ROD	1
41	PAF8-01010107	INNER FRAME, ROTARY BRACKET	1
42	PAF8-01010109	SPRING, WREST	1
43	PAF8-01010104	SPRING, SUPPORT	1
44	PAF8-01010103	BUSRING	2
45	PAF8-01010105	PRESS PLATE	1
46	PAGB/T5783-M6X12	BOLT M6X12	2
47	PAF8-01010300	SUPPORT ASSY	1
48	PAF4-01030103	HANDLE COVER	1

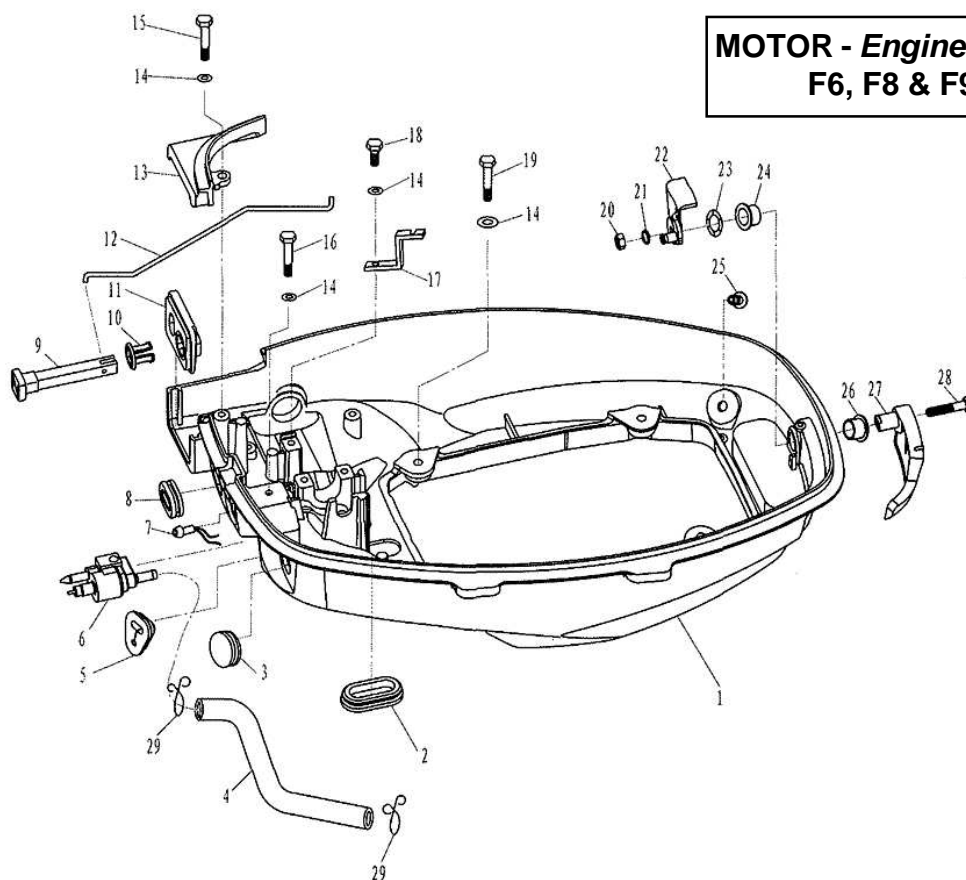
COLA SUPERIOR - Upper casing - Parte superiore piede



COLA SUPERIOR - Upper casing - Parte superiore piede

Nº	REF. PARSUN <i>Ref. Parsun</i> Ref. Parsun	DESCRIPCIÓN <i>Description</i> Descrizione	CANTIDAD <i>Quanty</i> Quantità
1	PAF8-02000001	UPPER CASING	1
2	PAF15-07010004	JAM 1/8"	3
3	PAF8-02000004	GASKET, EXHAUST OUTER COVER	1
4	PAF8-02000005	EXHAUST OUTER COVER	1
5	PAGB/T5783-M6X20	HEXAGON BOLT M6X20	6
6	PAF8-02000010	JACKET, EXHAUST OVER COVER	1
7	PAF8-00000006	MANTLE, UPPER CASING	1
8	PAF8-02010001	EXTENSION	1
9	PAGB/T818-M5X10	BOLT M5X10	3
10	PAF8-02000009	ALATE, WATER PIPE	1
11	PAF8-02000008	SEAL, WATER PIPE	1
12	PAF8-02000006(L)	WATER PIPE(L)	1
12	PAF8-02000006(S)	WATER PIPE(S)	1
13	PAF8-02000007	UPPER SEAL, WATER PIPE	1
14	PAGB/T97.1-6	WASHER 6	14
15	PAF8-02000002	OIL SEAL, DRIVE SHAFT	1
16	PAF8-02000003	CLAPBOARD, OIL SUMP	1
17	PAGB/818-M6X30	SCREW, PAN HEAD M6X30	2
18	PAGB/T93-6	SPRING WASHER 6	2
19	PAGB/T6170-M6	NUT, HEXAGON M6	6
20	PAF8-00000005	PIN, DOWEL	2
21	PAF8-02000011	BOLT M6X23	2
22	PAP8-02000012	BOLT M6X28	2
23	PAGB/T818-M6X16	SCREW M6X16	2
24	PAF15-04000003	GASKET	1
25	PAF15-04000002	BOLT, OIL DRAIN	1
26	PAGB/T93-5	SPRING WASHER 5	2
27	PAGB/T818-M6X8	SCREW, PAN HEAD M6X8	1

BANDEJA - Bottom cowling - Base calandra

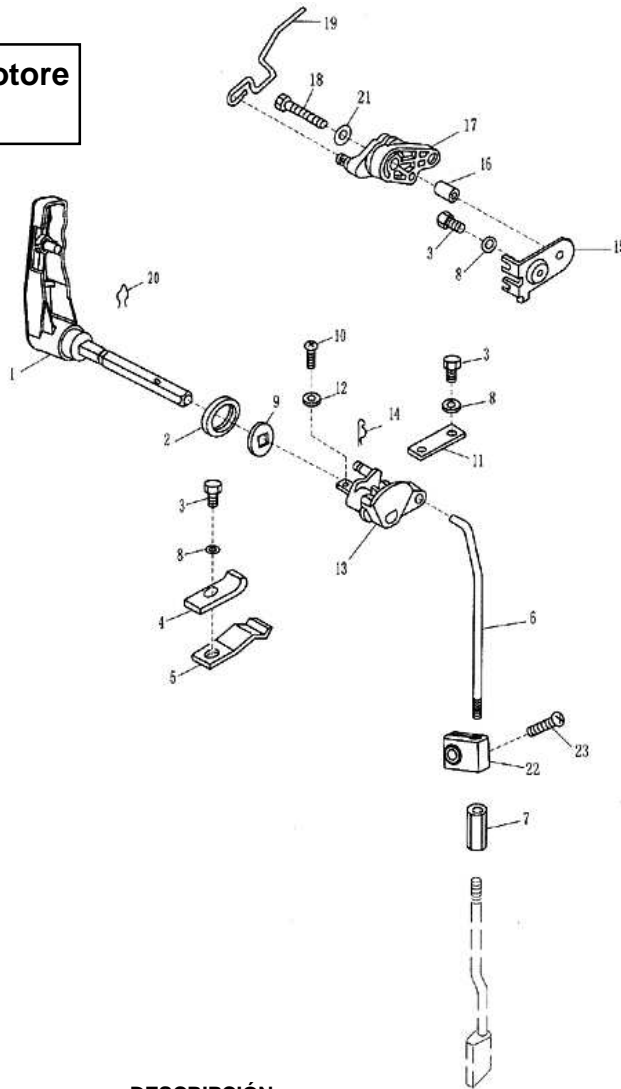


**MOTOR - Engine - Motore
F6, F8 & F9.8**

Nº	REF. PARSUN <i>Ref. Parsun</i> Ref. Parsun	DESCRIPCIÓN <i>Description</i> <i>Descrizione</i>	CANTIDAD <i>Quantity</i> <i>Quantità</i>
1	PAF8-03000001	BOTTOM COWLING	1
2	PAF8-03000004	RUBBER PLUG B	2
3	PAF25-03000003	CIRCULAR PLUG	1
4	PAF8-03000002	FUEL PIPE	1
5	PAF15-01000015	JACKET, CABLE	1
6	PAF4-05000200	FUEL CONNECTOR ASSY	1
7	PAF15-07130303	INDICATOR LIGHT ASSY	1
8	PAF8-03000003	RUBBER PLUG A	1
9	PAF8-03000202	HANDLE, AIR CHOKE	1
10	PAF8-03000007	BUSH, AIR CHOKE	1
11	PAF8-03000008	RUBBER PLATE, AIR CHOKE	1
12	PAF8-03000201	STEEL WIRE, AIR CHOKE	1
13	PAF8-03000014	COVER BOARD, BOTTOM COWLING	1
14	PAGB/T97.1-6	WASHER 6	7
15	PAGB/T5783-M6X16	BOLT, HEXAGON M6X16	1
16	PAGB/T5783-M6X20	BOLT, HEXAGON M6X20	1
17	PAF8-03010008	PLATE, TIGHTWIRE	1
18	PAGB/T5783-M6X12	BOLT, HEXAGON M6X12	1
19	PAGB/T5783-M6X25	BOLT, HEXAGON M6X25	4
20	PAGB/T6170-M6	NUT 6	1
21	PAGB/T93-6	SPRING WASHER 6	1
22	PAF15-05030000	LOCKING ASSY, TOP COWLING	1
23	PAF15-03000023	WASHER, WAVE	1
24	PAT15-03000012	BUSHING B	1
25	PAF8-03000012	NIPPLE	1
26	PAT15-03000008	BUSHING A	1
27	PAF8-03020000	LOCKING HANDLE, TOP COWLING	1
28	PAGB/T5783-M6X25	BOLT, HEXAGON M6X25	1
29	PAF4-04000030	SPRING, FUEL PIPE "B"	2

CAMBIO - Control system - Calandra

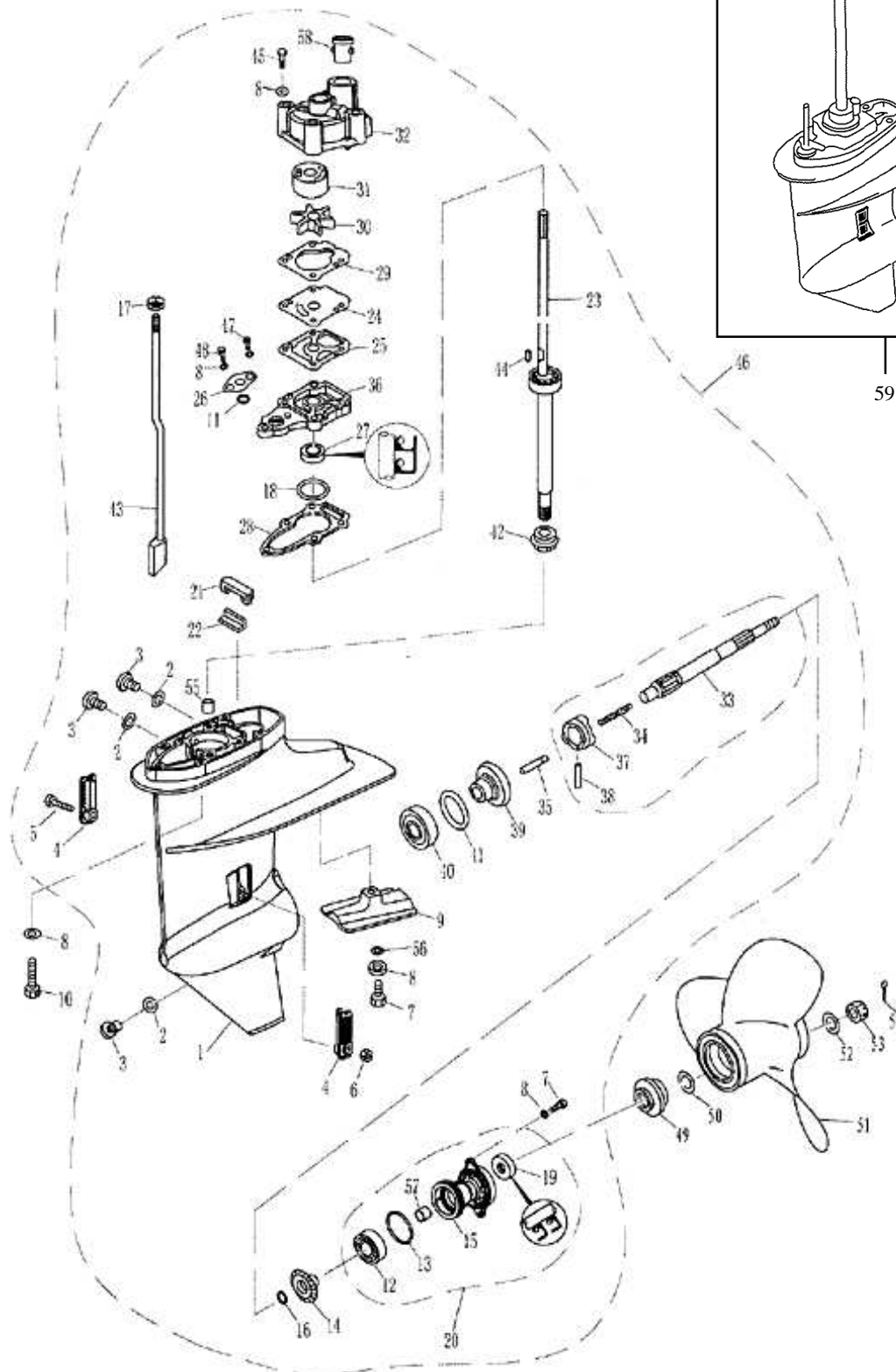
**MOTOR - Engine - Motore
F6, F8 & F9.8**



Nº	REF. PARSUN Ref. Parsun Ref. Parsun	DESCRIPCIÓN Description Descrizione	CANTIDAD Quantity Quantità
1	PAF8-03010100	HANDLE, GEAR SHIFT	1
2	PAF8-03010001	WASHER, HANDLE	1
3	PAGB/T5783-M6X12	BOLT, HEXAGON M6X12	4
4	PAF8-03010006	PLATE, SHIFTLER STOPPER	1
5	PAF8-03010005	STOPPER, SHIFT LEVER	1
6	PAF8-03000010	SHIFT ROD	1
7	PAF8-03000013	COLUMNEDNUT	1
8	PAGB/T97.1-6	WASHER 6	4
9	PAF8-03010002	WASHER	1
10	PAGB/T818-M4X14	SCREWM4X14	1
11	PAF8-03010007	PLATE	1
12	PAGB/T97.1-4	WASHER 4	1
13	PAF8-03010003	BLOCK, SHIFT ROD	1
14	PAF15-00000012	SPRING Ø1.8	1
15	PAF8-05000020	PLATE, ACCELEROGRAPHENFOPCE	1
16	PAF8-05000018	BUSH, ACCELEROGRAPHENFOPCE	1
17	PAF8-05000019	MAIN PULLEY	1
18	PAGB/T5783-M6X30	BOLT, HEXAGON M6X30	1
19	PAF8-05000010	LINK, ACCELEROGRAPH CONTROL	1
20	PAF8-03000005	SPRING Ø1.2	1
21	PAGB/T96-6	WASHER 6	1
22	PAF8-03000011	LOCK BLOCK, REVERSE GEAR	1
23	PAGB/T823-M6X10	BOLT M6X10	1

COLA INFERIOR - Lower casing & drive - Parte inferiore piede

MOTOR - Engine - Motore
F6, F8 & F9.8

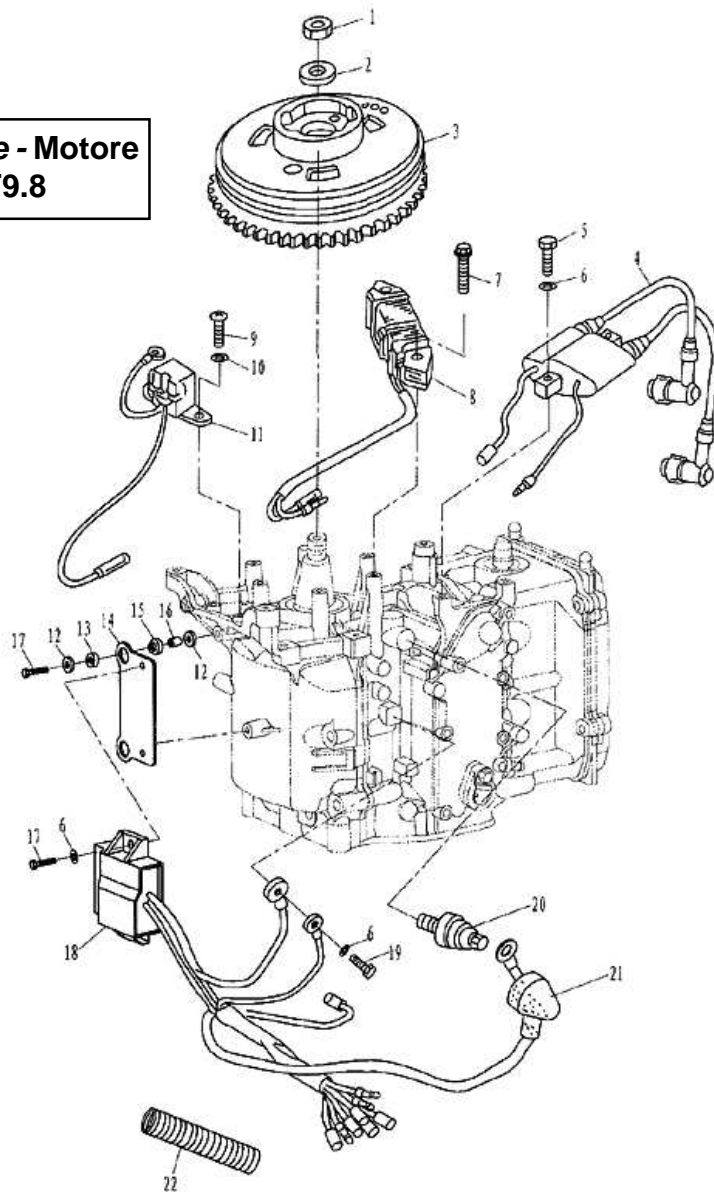


COLA INFERIOR - Lower casing & drive - Parte inferiore piede

Nº	REF. PARSUN <i>Ref. Parsun</i> Ref. Parsun	DESCRIPCIÓN <i>Description</i> Descrizione	CANTIDAD <i>Qty</i> Quantità
1	PAF8-04000001	LOWER CASING	1
2	PAF4-03000024	GASKET	3
3	PAF4-03000023	PLUG, OIL HOSE	3
4	PAF8-04000017	WATER INLET	2
5	PAGB/T823-M4X25	SCREW M4X25	1
6	PAGB/T889.1-M4	NUT, HEXAGON M4	1
7	PAGB/T5783-M6X25	BOLT, HEXAGON M6X25	3
8	PAGB/T97.1-6	WASHER 6	11
9	PAF8-04000018	ANODE	1
10	PAGB/T5783-M6X35	BOLT, HEXAGON M6X35	4
11	PAF2.6-03000009	O-RING	1
12	PAGB/T276-6004	BEARING 6004	1
13	PAF8-04040002	O-RING	1
14	PAF8-04000014	GEAR, REVERSE	1
15	PAF8-04040001	COVER, LOWER CASING	1
16	PAF8-04000012	WASHER	1
17	PAGB/T6170-M5	NUT, HEXAGON M5	1
18	PAF8-04000004-1	SHIM 0.10mm	1
18	PAF8-04000004-2	SHIM 0.15mm	1
18	PAF8-04000004-3	SHIM 0.20mm	1
19	PAF8-04040004	OIL SEAL	1
20	PAF8-04040000	COVER ASSY, LOWER CASING	1
21	PAF8-04000016	GASKET, WATER SEAL	1
22	PAF8-04000015	WATER SEAL	1
23	PAF8-04020001(L)	DRIVE SHAFT ASSY(L)	1
23	PAF8-04020001(S)	DRIVE SHAFT ASSY(S)	1
24	PAF8-04000007	OUTER PLATE	1
25	PAF8-04000006	GASKET, OUTER PLATE	1
26	PAF8-04000011	PLATE, O-RING	1
27	PAF8-04000101	OIL SEAL	1
28	PAF8-04000005	GASKET, WATER PUMP SEAT	1
29	PAF8-04000008	GASKET, OUTER PLATE	1
30	PAF8-04000200	IMPELLER	1
31	PAF8-04000010	INNER SHELL, WATER PUMP	1
32	PAF8-04000009	WATER PUMP	1
33	PAF8-04000301	SHAFT, PROPELLER	1
34	PAF8-04000302	SPRING, CLUTCH	1
35	PAF8-04000305	PIN, CLUTCH	1
36	PAF8-04000102	WATER PUMP SEAT	1
37	PAF8-04000303	CLUTCH, DOG	1
38	PAGB/T879.1-3.5X28	PIN 3.5X28	1
39	PAF8-04010000	GEAR, FORWARD	1
40	PAGB/T276-6204	BEARING 6204	1
41	PAF8-04000012-1	SHIM 0.10mm	1
41	PAF8-04000012-2	SHIM 0.15mm	1
42	PAF8-04000003	PINION	1
43	PAF8-04030000(L)	CAM ASSY, SHIFT ROD(L)	1
43	PAF8-04030000(S)	CAM ASSY, SHIFT ROD(S)	1
44	PAF8-04000021	PIN, DOWER	1
45	PAGB/T5783-M6X50	BOLT, HEXAGON M6X50	4
46	PAF8-04000000	LOWER CASING ASSY(L)	1
46	PAF8-04000000	LOWER CASING ASSY(S)	1
47	PAGB/T818-M5X6	SCREW M5X6	1
48	PAGB/T5783-M6X25	BOLT, HEXAGON M6X25	1
49	PAF8-04000019	CUSHION, PROPELLER	1
50	PAF8-04000020	WASHER, PROPELLER SHAFT	1
51	PAF8-04050000	PROPELLER ASSY	1
52	PAGB/T96-10	WASHER 10	1
53	PAF15-06000016	NUT, HEXAGON	1
54	PAGB/T91-12.5X20	PIN, COTTER	1
55	PANSK FJ-1516	BEARING	1
56	PAGB/T861.1-6	LOCK WASHER 6	1
57	PAF8-04040003	BEARING	1
58	PAF8-04000013	SEAL	1
59	PAF6-0400000L	COMPLETE GEAR HOUSING LARGE	1
59	PAF6-0400000S	COMPLETE GEAR HOUSING SMALL	1

ELECTRICIDAD - *Electrical* - Parte elettrica

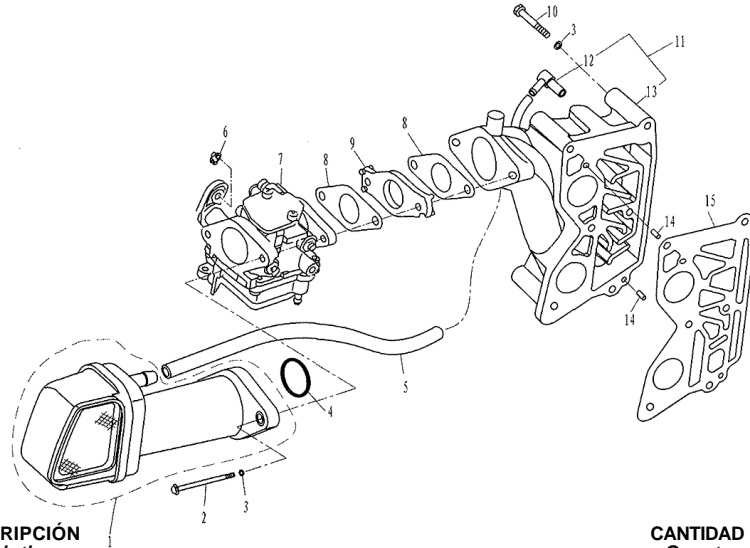
**MOTOR - Engine - Motore
F6, F8 & F9.8**



Nº	REF. PARSUN <i>Ref. Parsun</i> Ref. Parsun	DESCRIPCIÓN <i>Description</i> Descrizione	CANTIDAD <i>Quantity</i> Quantità
1	PAF8-05000024	NUT, FLYWHEEL	1
2	PAT15-04000011	WASHER, FLYWHEEL NUT	1
3	PAF8-05000600	FLYWHEEL ASSY	1
4	PAF8-05000500	HIGH PRESSURE ASSY	1
5	PAGB/T5783-M6X25	BOLTM6X25	2
6	PAGB/T97.1-6	WASHER 6	5
7	PAGB/T5787-M6X30	BOLTM6X30	2
8	PAF8-05000300	COIL	1
9	PAGB/T818-M5X10	BOLTM5X10	2
10	PAGB/T97.1-5	WASHER 5	2
11	PAF8-05000200	COIL, PULSER	1
12	PAF8-05000021	WASHER	4
13	PAF8-05000007	ABSORBER(A), C.D.I.	2
14	PAF8-05000005	PLATE, C.D.I	1
15	PAF8-05000011	ABSORBER(B), C.D.I.	2
16	PAF8-05000006	TUBE	2
17	PAGB/T5783-M6X16	BOLTM6X16	4
18	PAF8-05000400	C.D.I. UNIT ASSY	1
19	PAGB/T5783-M6X12	BOLTM6X12	1
20	PAF15-07010100	OIL PRESSURE SENSOR	1
21	PAF15-07010101	JACKET, INSULATION	1
22	PAF15-07000003	RIPPLE TUBE	1

ADMISIÓN - Intake - Aspirazione

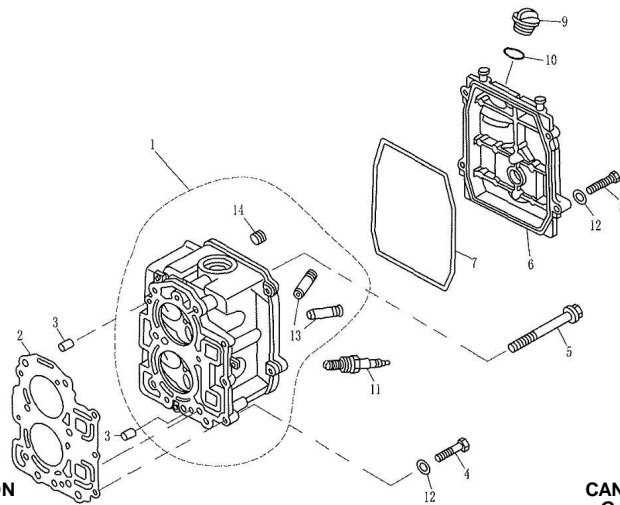
**MOTOR - Engine - Motore
F6, F8 & F9.8**



Nº	REF. PARSUN Ref. Parsun	DESCRIPCIÓN Description Descrizione	CANTIDAD Qty Quantità
1	PAF8-05060000	SILENCER ASSY, INTAKE	1
2	PAGB/T5782-M6X100	HEXAGON BOLT M6X100	2
3	PAGB/T97.1-6	WASHER 6	8
4	PAGB/T3452.1-35.5X1.8	O-RING 35.5X1.8	1
5	PAF8-050000023	HOSE Ø10xØ5x245	1
6	PAF15-07000016W	CONTACT	1
7	PAF8-05040000	CARBURETOR	1
8	PAF15-07000017	GASKET, CARBURETOR	2
9	PAF15-07000018	INSULATOR, CARBURETOR	1
10	PAGB/T5782-M6X45	HEXAGON BOLT M6X45	6
11	PAF8-05080000	INTAKE MANIFOLD ASSY	1
12	PAF8-050000700	GAS NIPPLE ASSY	1
13	PAF8-050000008	INTAKE MANIFOLD	1
14	PAGB/T879.2-3X10	PIN 3X10	2
15	PAF8-05000009	GASKET, MANIFOLD	1

CULATA - Cylinder head - Testata

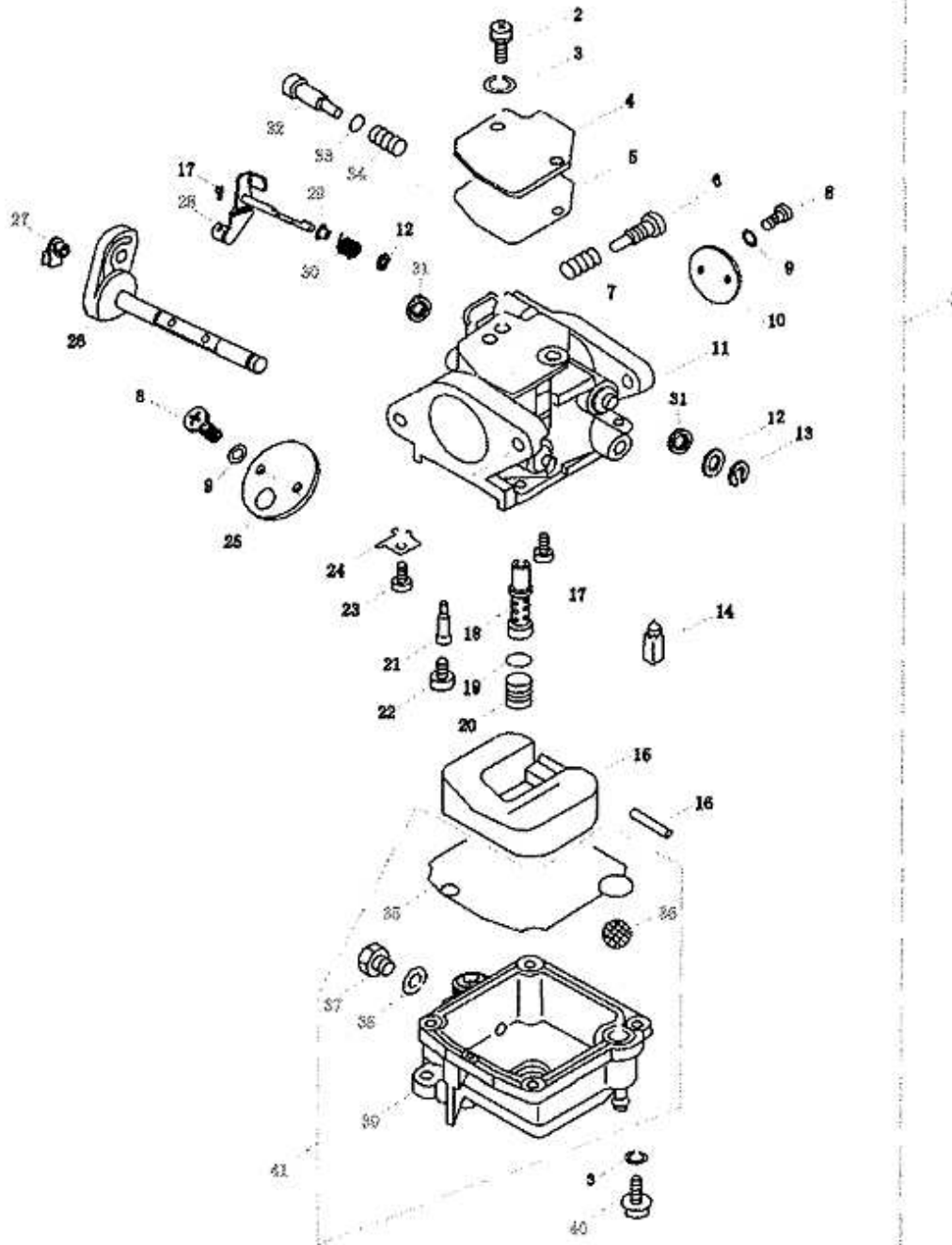
**MOTOR - Engine - Motore
F6, F8 & F9.8**



Nº	REF. PARSUN Ref. Parsun	DESCRIPCIÓN Description Descrizione	CANTIDAD Qty Quantità
1	PAF8-05030100	CYLINDER HEAD ASSY	1
2	PAF8-05000100	CYLINDER HEAD GASKET	1
3	PAF15-00000006	KNOCK 6X12	2
4	PAF8-05000022	BOLT M6X25	3
5	PAF4-04000039	BOLT M8x50	6
6	PAF8-05000001	CYLINDER HEAD COVER	1
7	PAF8-05000002	CYLINDER HEAD COVER GASKET	1
8	PAGB/T5783-M6X25	BOLT M6X25	4
9	PAF15-07050004	FILLER CAP, ENGINE OIL	1
10	PAJASO F404 35 025	O-RING	1
11	NGK DPR7EA-9	SPARK PLUG	2
12	PAGB/T97.1-6	WASHER 6	7
13	PAF15-07040104	VALVE GUIDE BUSH	4
14	PAF15-07010005	STOPPER 1/4"	2

CARBURADOR - *Carburetor* - Carburatore

MOTOR - *Engine* - Motore
F6, F8 & F9.8

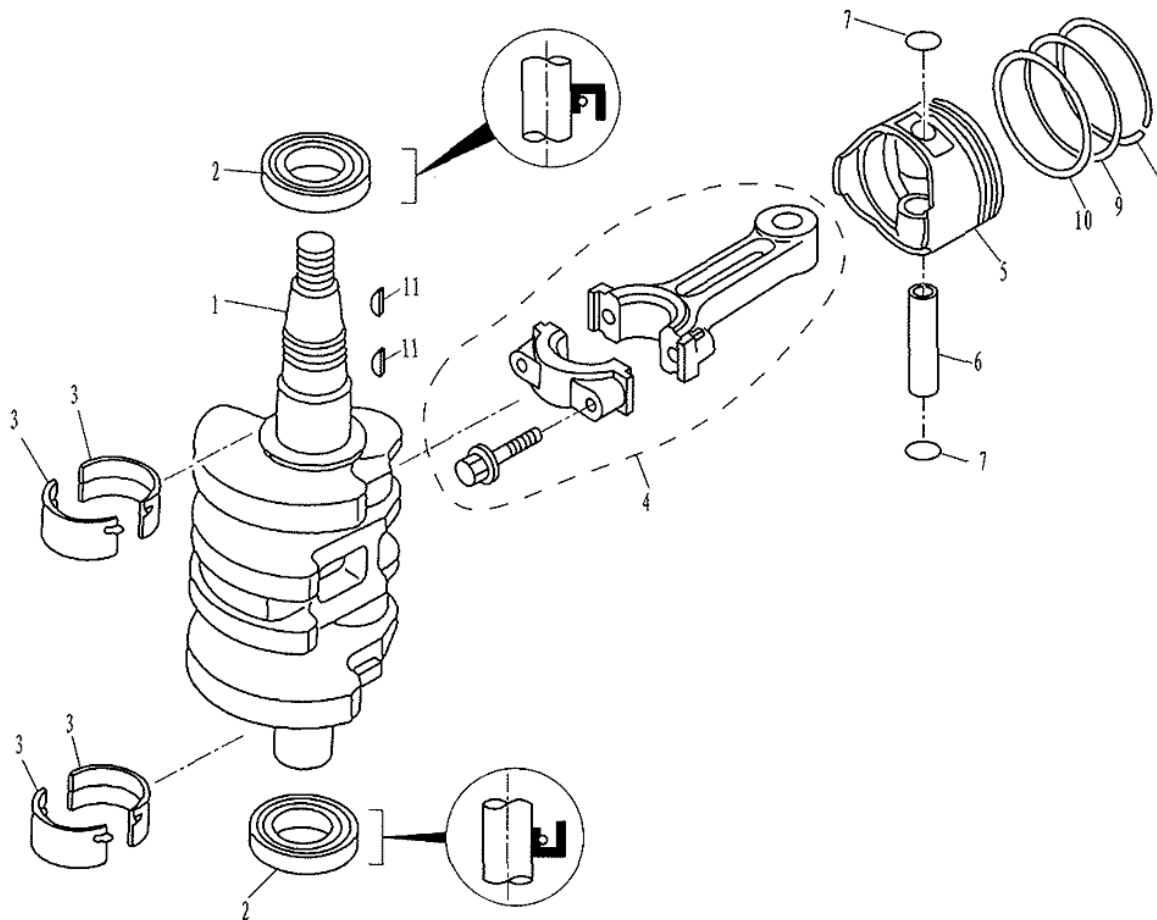


CARBURADOR - *Carburetor* Carburatore

Nº	REF. PARSUN <i>Ref. Parsun</i> Ref. Parsun	DESCRIPCIÓN <i>Description</i> Descrizione	CANTIDAD <i>Quantity</i> Quantità
1	PAF8-05040000	CARBURETOR ASSY	1
2	PAGB/T818-M4X10	BOLT	5
3	PAGB/T93-4	WASHER, SPRING	9
4	PAF8-05040003	PLATE	1
5	PAF8-05040002	GASKET	1
6	PAF8-05040009	BOLT	1
7	PAF8-05040010	SPRING, THORTTEL	1
8	PAGB/T818-M3X6	BOLT	4
9	PAGB/T93-3	WASHER, SPRING	4
10	PAF8-05040008	APRON, ACCELERATOR	1
11	PAF8-05040001	CARBURETOR	1
12	PAF8-05040006	BUSH, LINK	2
13	PAGB/T896-4	CIRCLIP	2
14	PAF8-05040019	VALVE, NEEDLE	1
15	PAF8-05040020	FLOAT	1
16	PAF8-05040021	PIN, FLOAT	1
17	PAGB/T818-M4X6	BOLT	1
18	PAF8-05040022	NOZZLE, MAIN	1
19	PAF8-05040024	SEAL	1
20	PAF8-05040023	JET, MAIN	1
21	PAF8-05040025	JET, AIR SLOW	1
22	PAF8-05040026	RUBBER CAP	1
23	PAGB/T818-M3X5	BOLT	1
24	PAF8-05040018	PLATE	1
25	PAF8-05040012	APRON, CHOKE	1
26	PAF8-05040200	LINK, CHOKE	1
27	PAF8-05040022	TIE-IN	1
28	PAF8-05040100	SWINGLINK, ACCELERATOR	1
29	PAF8-05040004	BUSH, SWING LINK	1
30	PAF8-05040005	WRINGSRING	1
31	PAF8-05040007	SEAL	1
32	PAF8-05040013	SCREW, AIR ADJUSTING	1
33	PAF8-05040014	SEAL	1
34	PAF8-05040015	SCREW, AIR ADJUSTING	1
35	PAF8-05040027	GASKET, FLOAT CHAMBER	1
36	PAF8-05040402	FILTER	1
37	PAF8-05040403	SCREW, DRAIN	1
38	PAF8-05040401	GASKET	1
39	PAF8-05040404	CUP, BODY	1
40	PAGB/T818-M4X12	BOLT	4
41	PAF8-05040400	BODY, FLOAT CHAMBER	1

CIGÜEÑAL Y PISTONES - *Crankshaft & piston* - Albero motore e pistoni

MOTOR - Engine - Motore
F6, F8 & F9.8



Nº	REF. PARSUN <i>Ref. Parsun</i> Ref. Parsun	DESCRIPCIÓN <i>Description</i> Descrizione	CANTIDAD <i>Qty</i> Quantità
1	PAF8-05020001	CRANK	1
2	PAF8-05010012	OIL SEAL	2
3	PAF8-05010009	BUSH	4
4	PAF8-05020200	ROD,CONNECTING	2
5	PAF8-05020101	PISTON	2
6	PAF8-05020105	PIN, PISTON	2
7	PAF15-07020005	CIRCLIP	4
8	PAF8-05020102	PISTON RING I	2
9	PAF8-05020103	PISTON RING II	2
10	PAF8-05020104	COMBINAT10N OIL RING	2
11	PAF4-04000019	KEY	2