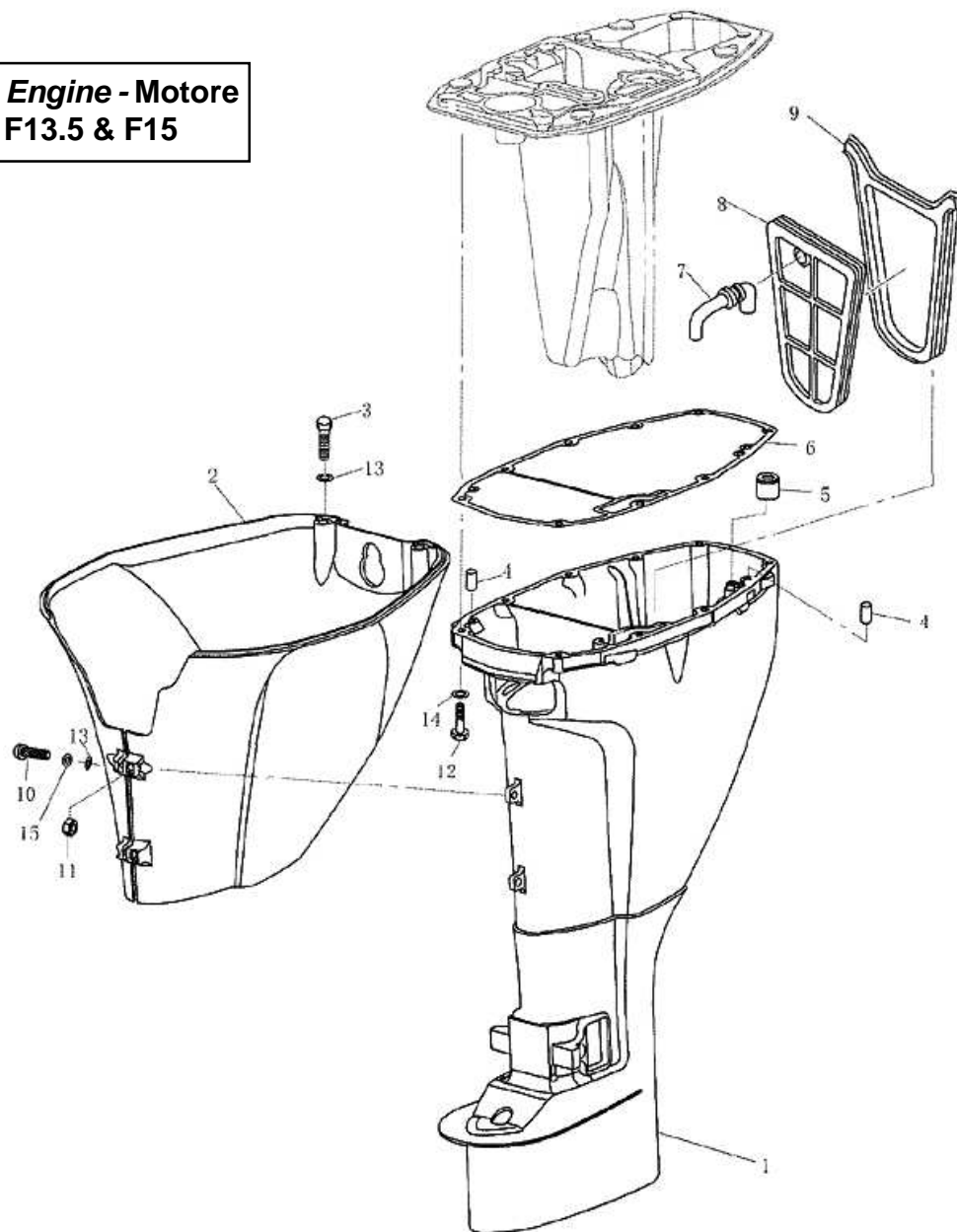


COLA SUPERIOR - Upper casing - Parte superiore piede

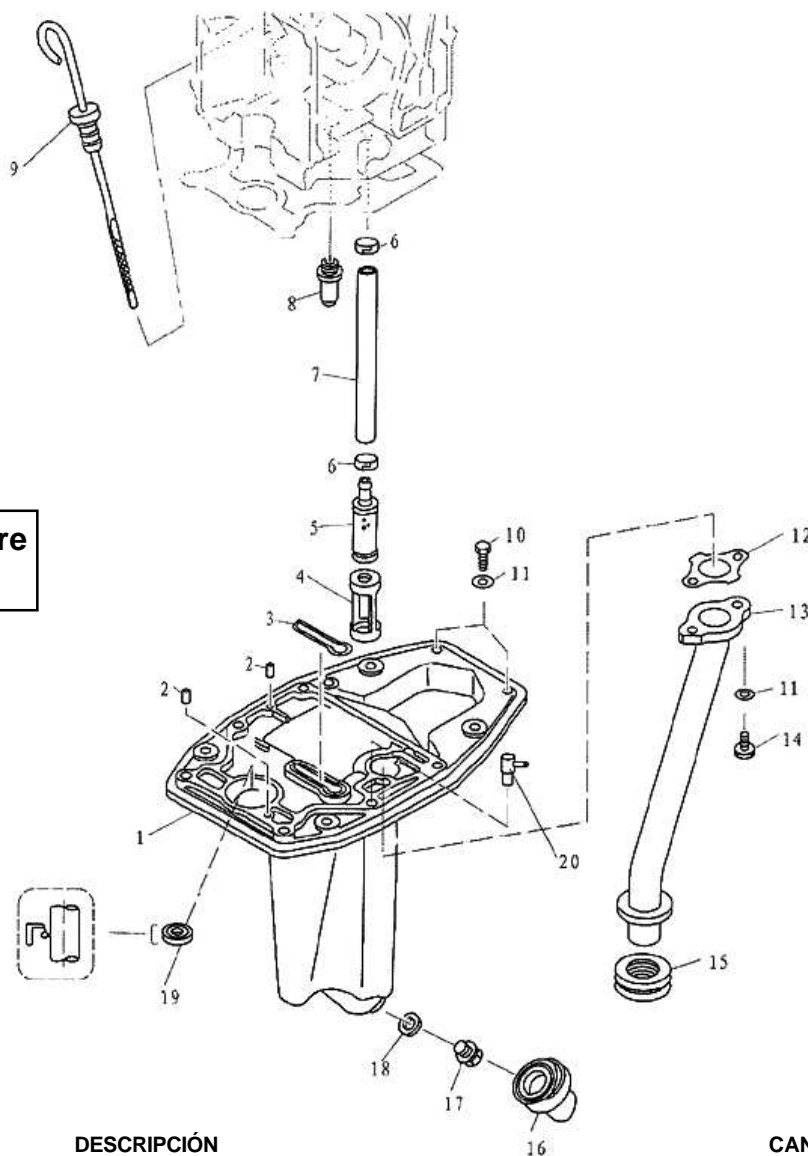
**MOTOR - Engine - Motore
F9.9, F13.5 & F15**



| Nº | REF. PARSUN Ref. Parsun Ref. Parsun | DESCRIPCIÓN Description Descrizione | CANTIDAD Quantity Quantità |
|----|-------------------------------------------|-------------------------------------------|----------------------------------|
| 1 | PAF15-02000001 | UPPER CASING | 1 |
| 1 | PAF15-02000001S | UPPER CASING SMALL | 1 |
| 2 | PAF15-00000015 | MANTLE, UPPER CASING | 1 |
| 3 | PAGB/T5783-2000 | HEXAGON BOLT M6X16 | 2 |
| 4 | PAF15-00000006 | PIN, DOWEL | 2 |
| 5 | PAF15-02000007 | SEAL | 1 |
| 6 | PAF15-00000005 | GASKET | 1 |
| 7 | PAF15-03000002 | RUBBER PIPE, EXHAUST | 1 |
| 8 | PAF15-03000001 | CLAPBOARD, EXHAUST | 1 |
| 9 | PAF15-03000003 | SEAL, CLAPBOARD | 1 |
| 10 | PAGB/T818-85 | BOLT M6X25 | 2 |
| 11 | PAGB/T41-2000 | NUT, HEXAGON | 2 |
| 12 | PAGB/T5783-2000 | BOLT, HEXAGON M8X45 | 6 |
| 13 | PAGB/T97.1-85 | WASHER 6 | 4 |
| 14 | PAGB/T97.1-85 | WASHER 8 | 6 |
| 15 | PAGB/T93-87 | WASHER, SPRING | 2 |

CARTER ACEITE - Oil pan - Coppa dell'olio

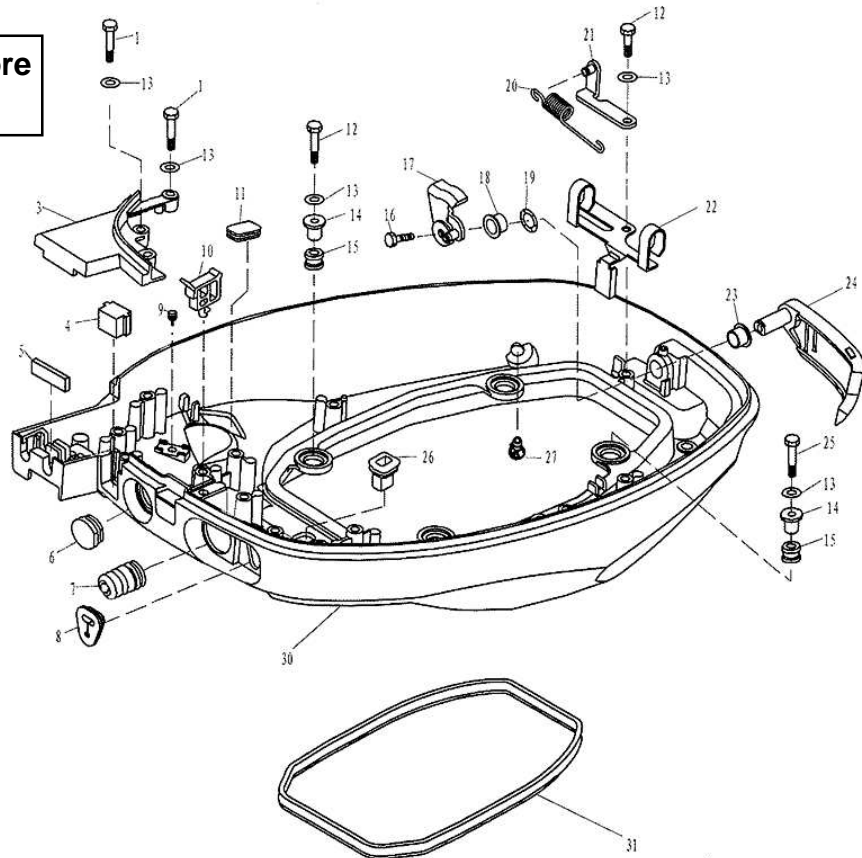
**MOTOR - Engine - Motore
F9.9, F13.5 & F15**



| Nº | REF. PARSUN Ref. Parsun Ref. Parsun | DESCRIPCIÓN Description Descrizione | CANTIDAD Qty Quantità |
|----|-------------------------------------------|-------------------------------------------|-----------------------------|
| 1 | PAF15-04000001 | OIL SUMP | 1 |
| 2 | PAF15-00000006 | PIN, DOWEL | 1 |
| 3 | PAF15-04000007 | SEAL, ABNORMITY | 1 |
| 4 | PAF15-07120105 | JACKET, STRAINER | 1 |
| 5 | PAF15-07120100 | STRAINER ASSY | 2 |
| 6 | PAF15-09030002 | HOOP A | 1 |
| 7 | PAF15-07120001 | PIPE, OIL | 1 |
| 8 | PAF15-07110000 | FLOODING VALVE ASSY | 1 |
| 9 | PAF15-00000100 | OIL DIP STICK | 1 |
| 10 | PAGB/T5783-2000 | BOLT, HEXAGON | 2 |
| 11 | PAGB/T97.1-85 | WASHER 6 | 4 |
| 12 | PAF15-04000006 | GASKET, EXHAUST PIPE | 1 |
| 13 | PAF15-04010000 | PIPE, EXHAUST | 1 |
| 14 | PAGB/T5783-2000 | BOLT, HEXAGON M6X16 | 2 |
| 15 | PAF15-04010004 | SEAL, EXT | 1 |
| 16 | PAF15-04000004 | JACKET, OIL DRAIN | 1 |
| 17 | PAF15-04000002 | BOLT, OIL DRAIN | 1 |
| 18 | PAF15-04000003 | WASHER | 1 |
| 19 | PAF15-04000008 | OIL SEAL | 1 |
| 20 | PAF15-04000005 | WATER NIPPLE | 1 |

BANDEJA - Bottom cowling - Base calandra

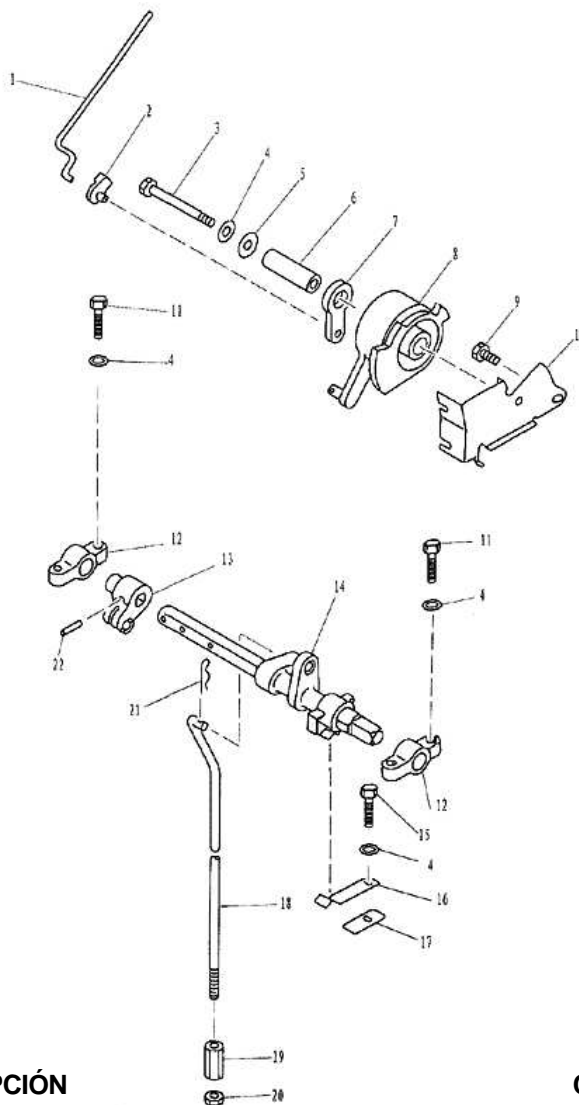
**MOTOR - Engine - Motore
F9.9, F13.5 & F15**



| Nº | REF. PARSUN Ref. Parsun Ref. Parsun | DESCRIPCIÓN Description Descrizione | CANTIDAD Quantity Quantità |
|----|-------------------------------------------|-------------------------------------------|----------------------------------|
| 1 | PAGB/T5783-2000 | BOLT HEXAGON M6X30 | 3 |
| 2 | PAF15-05000019 | ORIENTED PLATE, CHOKE | 1 |
| 3 | PAF15-05000018 | COVER BOARD, BOTTOM COWLING | 1 |
| 4 | PAF15-05010002 | SHEATH, CHOKE | 1 |
| 5 | PAF15-05000017 | SEAL, RUBBER | 1 |
| 6 | PAF15-05000007 | RUBBER PLUG, CIRCULAR | 1 |
| 7 | PAF15-05000006 | SHEATH, WAVE | 1 |
| 8 | PAF15-01000015 | JACKET, CABLE | 1 |
| 9 | PAF15-05000015 | RUBBER PLUG, NEEDLE | 1 |
| 10 | PAF15-05000008 | CLAMP A | 1 |
| 11 | PAF15-05000003 | RUBBER PLUG, QUADRATE | 1 |
| 12 | PAGB/T5783-2000 | BOLT HEXAGON M6X25 | 2 |
| 13 | PAGB/T97.1-85 | WASHER 6 | 10 |
| 14 | PAF15-05000005 | BUSHING, DAMPER | 4 |
| 15 | PAF15-05000004 | DAMPER | 4 |
| 16 | PAGB/T5783-2000 | BOLT, HEXAGON M6X12 | 1 |
| 17 | PAF15-05030000 | LOCKING ASSY, TOP COWLING | 1 |
| 18 | PAF15-05000036 | BUSHING B | 1 |
| 19 | PAF15-05000023 | WASHER, WAVE | 1 |
| 20 | PAF15-05000026 | SPRING, TENSION | 1 |
| 21 | PAF15-05000025 | BRACKET ASSY, TENSIONAL SPRING | 1 |
| 22 | PAF15-05000024 | CLIP, WATER PIPE | 1 |
| 23 | PAF15-05000022 | BUSHING A | 1 |
| 24 | PAF15-05020000 | LOCKING HANDLE ASSY, TOP COWLING | 1 |
| 25 | PAGB/T5783-2000 | BOLT, HEXAGON M6X35 | 2 |
| 26 | PAF15-05000033 | JACKET, LEVER | 1 |
| 27 | PAF15-05000009 | NIPPLE, PLASTIC | 1 |
| 28 | PAGB/T5783-2000 | BOLT, HEXAGON M6X20 | 2 |
| 29 | PAF15-05000021 | COVERING | 2 |
| 30 | PAF15-05000001 | BOTTOM COWLING | 1 |
| 31 | PAF15-05000002 | SEAL, BOTTOM COWLING | 1 |

MANDOS - Control system - Comandi

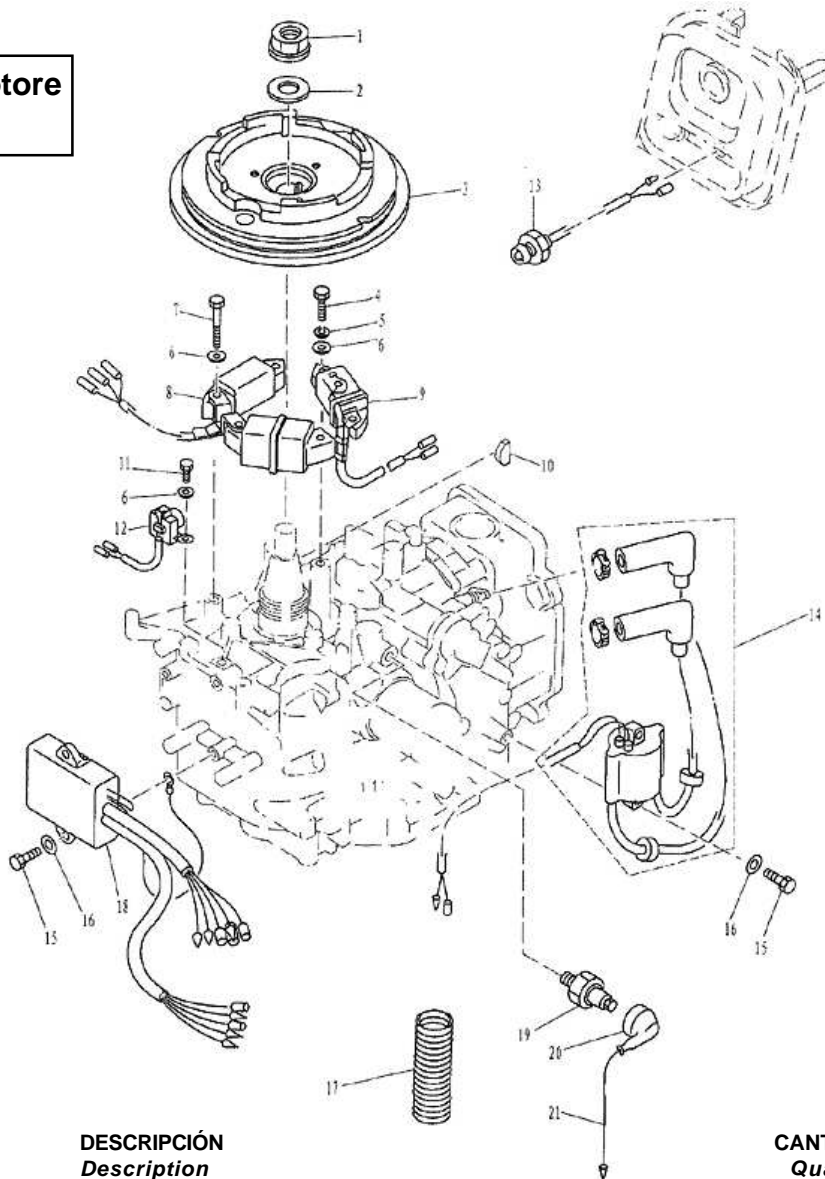
MOTOR - Engine - Motore
F9.9, F13.5 & F15



| Nº | REF. PARSUN <i>Ref. Parsun</i> Ref. Parsun | DESCRIPCIÓN <i>Description</i> Descrizione | CANTIDAD <i>Quantity</i> Quantità |
|----|--------------------------------------------------|--------------------------------------------------|-----------------------------------------|
| 1 | PAF15-07000015 | LINK, ACCELEROGRAPH CONTROL | 1 |
| 2 | PAF15-07000016 | JOINT ACCELEROGRAPH CONTROL | 1 |
| 3 | PAGB/T5782-2000 | BOLT M6X55 | 1 |
| 4 | PAGB/T97.1-85 | WASHER 6 | 5 |
| 5 | PAGB/T96-85 | LARGE WASHER 6 | 1 |
| 6 | PAF15-07000012 | BUSH, ACCELEROGRAPHENFORCE | 1 |
| 7 | PAF15-07000014 | PULLEY, PASSIVITY | 1 |
| 8 | PAF15-07000013 | PULLEY, DRIVE | 1 |
| 9 | PAGB/T5783-2000 | BOLT M6X10 | 1 |
| 10 | PAF15-07000011 | BRACKET, CONTROL TIGHTWIRE | 1 |
| 11 | PAGB/T5783-2000 | BOLT M6X25 | 4 |
| 12 | PAF15-05040002 | BRACKET, SHIFT ROD | 2 |
| 13 | PAF15-05040001 | ROCKER, STOPPER | 1 |
| 14 | PAF15-05040100 | LEVER, SHIFT ROD | 1 |
| 15 | PAGB/T5783-2000 | BOLT M6X20 | 1 |
| 16 | PAF15-05000032 | STOPPER SPRING | 1 |
| 17 | PAF15-05000031 | SPRING | 1 |
| 18 | PAF15-05000034 | SHIFT ROD | 1 |
| 18 | PAF15-05000034S | SHIFT ROD | 1 |
| 19 | PAF15-05000035 | COLUMNED NUT | 1 |
| 20 | PAGB/T41-2000 | NUT | 1 |
| 21 | PAF15-00000012 | SPRING | 1 |
| 22 | PAGB/T879.2-2000 | PIN, SPRING | 1 |

ELECTRICIDAD - *Electrical* - Parte elettrica

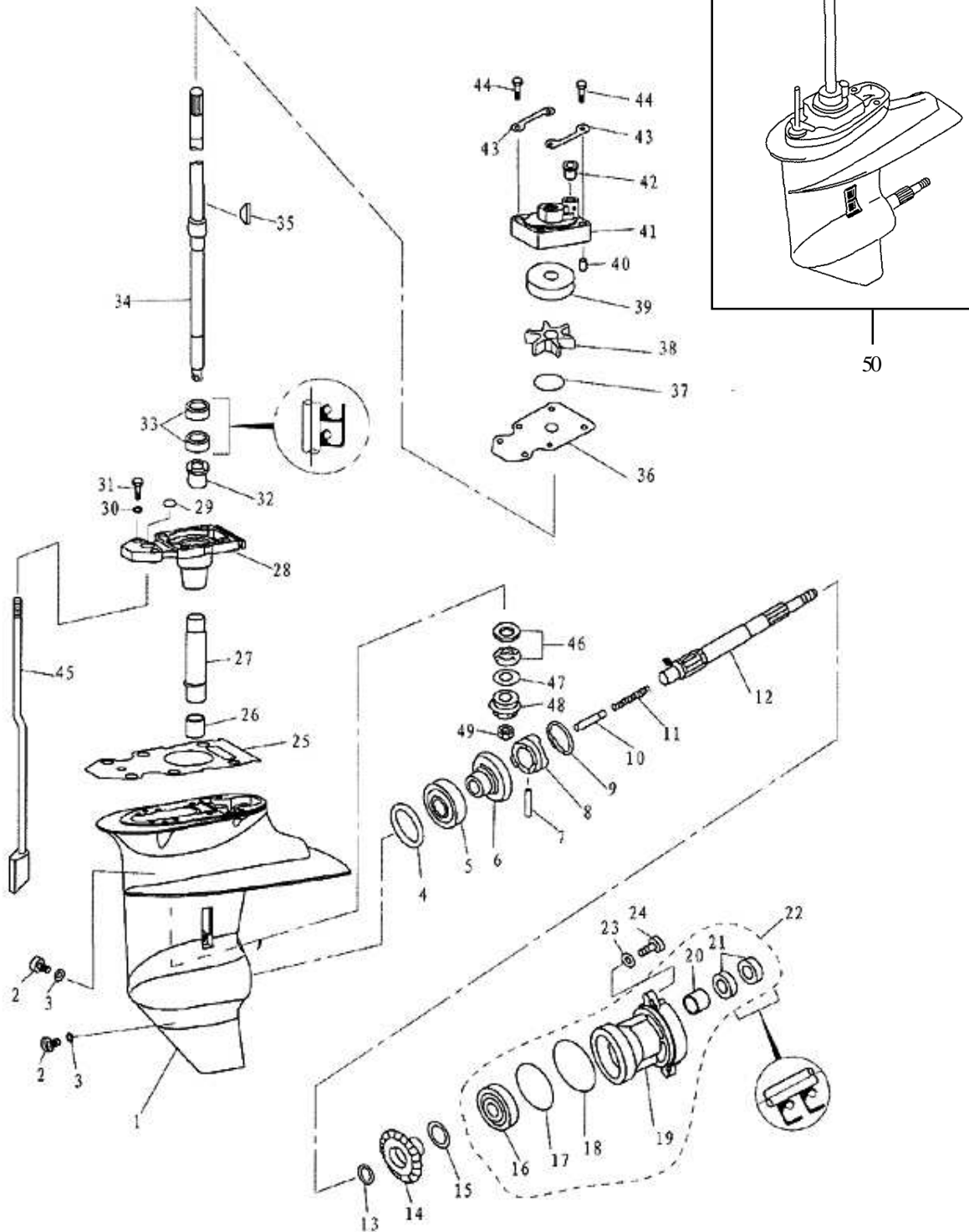
**MOTOR - Engine - Motore
F9.9, F13.5 & F15**



| Nº | REF. PARSUN <i>Ref. Parsun</i> Ref. Parsun | DESCRIPCIÓN <i>Description</i> Descrizione | CANTIDAD <i>Quantity</i> Quantità |
|----|--------------------------------------------------|--------------------------------------------------|-----------------------------------------|
| 1 | PAF15-0700006 | NUT, FLYWHEEL | 1 |
| 2 | PAF15-0700005 | WASHER, FLYWHEEL NUT | 1 |
| 3 | PAF15-0707000 | FLYWHEEL ASSY | 1 |
| 4 | PAGB/T5783-2000 | HEXAGON BOLT | 2 |
| 5 | PAGB93-1987 | WASHER, SPRING | 2 |
| 6 | PAGB/T97.1-2002 | WASHER 6 | 8 |
| 7 | PAGB/T5783-2000 | HEXAGON BOLT | 4 |
| 8 | PAF15-0700040 | COIL, CHARGE "A" & "B" ASSY | 1 |
| 9 | PAF15-0700030 | COIL | 1 |
| 10 | PAF15-0700004 | KEY, SEMISIRCLE FLYWHEEL | 1 |
| 11 | PAGB/T5783-2000 | HEXAGON BOLT | 2 |
| 12 | PAF15-0700020 | COIL, PULSER | 1 |
| 13 | PAF15-07130303 | EMERGENCY SIGNAL LIGHT ASSY | 1 |
| 14 | PAF15-07000600 | HIGH PRESSURE ASSY | 1 |
| 15 | PAGB/T5783-2000 | HEXAGON BOLT | 4 |
| 16 | PAGB/T97.1-2002 | WASHER | 4 |
| 17 | PAF15-07000003 | RIPPLE TUBE | 1 |
| 18 | PAF15-07000500 | C.D.I. UNIT ASSY | 1 |
| 19 | PAF15-07010103 | OIL PRESSURE SENSOR | 1 |
| 20 | PAF15-07010101 | JACKET, INSJULATION | 1 |
| 21 | PAF15-07010102 | LEAD WIRE ASSY | 1 |

COLA INFERIOR 1 - Lower casing & drive 1 - Parte inferiore piede 1

MOTOR - Engine - Motore
F9.9, F13.5 & F15

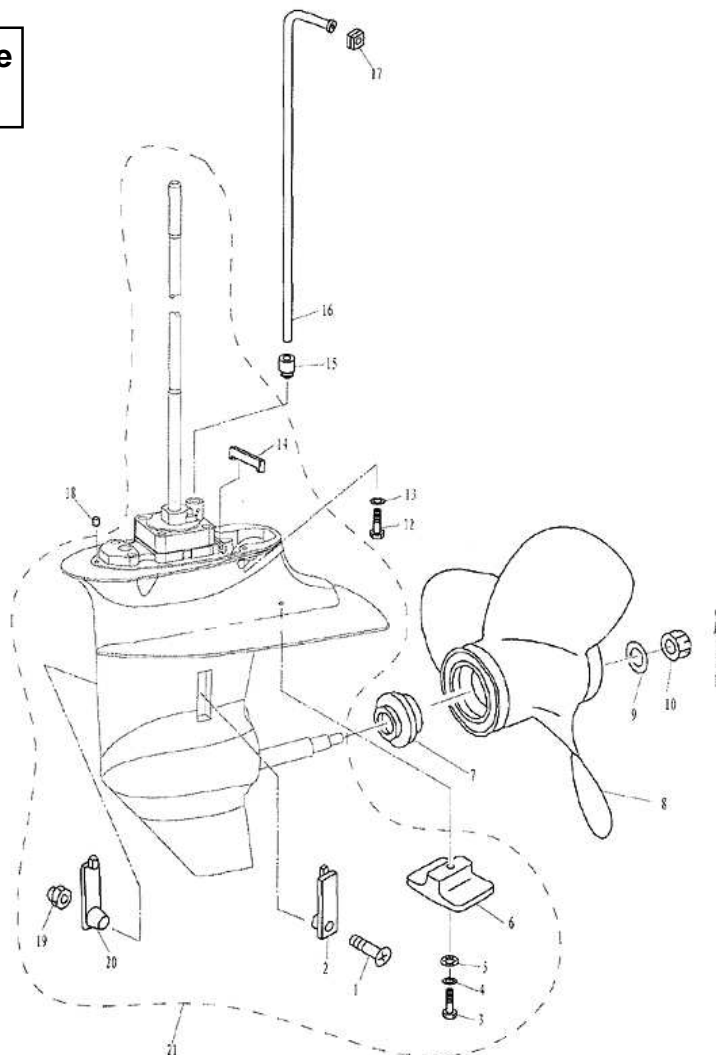


COLA INFERIOR 1 - Lower casing & drive 1 - Parte inferiore piede 1

| Nº | REF. PARSUN <i>Ref. Parsun</i> Ref. Parsun | DESCRIPCIÓN <i>Description</i> Descrizione | CANTIDAD <i>Qty</i> Quantità |
|----|--------------------------------------------------|--------------------------------------------------|------------------------------------|
| 1 | PAF15-06000001 | LOWER CASING | 1 |
| 2 | PAF4-03000023 | PLUG, OIL HOSE | 2 |
| 3 | PAF4-03000024 | GASKET | 2 |
| 4 | PAF15-06000010-1 | SHIM (t:0.10mm) | 1 |
| 4 | PAF15-06000010-2 | SHIM (t:0.12mm) | 1 |
| 4 | PAF15-06000010-3 | SHIM (t:0.15mm) | 1 |
| 4 | PAF15-06000010-4 | SHIM (t:0.18mm) | 1 |
| 4 | PAF15-06000010-5 | SHIM (t:0.30mm) | 1 |
| 4 | PAF15-06000010-6 | SHIM (t:0.40mm) | 1 |
| 4 | PAF15-06000010-7 | SHIM (t:0.50mm) | 1 |
| 5 | PANTN 4T-30205 1L | BEARING | 1 |
| 6 | PAF15-06010000 | GEAR, FORWARD | 1 |
| 7 | PAF15-06070004 | PIN, CLUTCH | 1 |
| 8 | PAF15-06070003 | CLUTCH, DOG | 1 |
| 9 | PAF15-06070005 | RING, CLUTCH | 1 |
| 10 | PAF15-06070006 | PLUNGER, SHIFT | 1 |
| 11 | PAF15-06070002 | SPRING, CLUTCH | 1 |
| 12 | PAF15-06070001 | SHAFT, PROPELLER | 1 |
| 13 | PAF15-06070007 | WASHER, REVERSE GEAR | 1 |
| 14 | PAF15-06080005 | GEAR, REVERSE | 1 |
| 15 | PAF15-06080006-1 | SHIM (t:0.10mm) | 1 |
| 15 | PAF15-06080006-2 | SHIM (t:0.20mm) | 1 |
| 15 | PAF15-06080006-3 | SHIM (t:0.30mm) | 1 |
| 15 | PAF15-06080006-4 | SHIM (t:0.40mm) | 1 |
| 15 | PAF15-06080006-5 | SHIM (t:0.50mm) | 1 |
| 16 | PAGB/T276-94 | BEARING | 1 |
| 17 | PAF15-06080002 | O-RING A, COVER | 1 |
| 18 | PAF15-06080003 | O-RING B, COVER | 1 |
| 19 | PAF15-06080001 | COVER, LOWER CASING | 1 |
| 20 | PAKOYO 17BM2312 | BEARING | 1 |
| 21 | PAF15-06080004 | OIL SEAL | 2 |
| 22 | PAF15-06080000 | COVER ASSY, LOWER CASING | 1 |
| 23 | PAGB/T97.1-85 | WASHER 6 | 2 |
| 24 | PAGB/T5783-2000 | BOLT, HEXAGON M6X20 | 2 |
| 25 | PAF15-06000005 | WASHER | 1 |
| 26 | PANSK F1420 | BEARING | 1 |
| 27 | PAF15-06000006 | BUSHING, NYLON | 1 |
| 28 | PAF15-06020001 | BASE, DRIVE SHAFT | 1 |
| 29 | PAF15-06020004 | O-RING | 1 |
| 30 | PAGB/T97.1-85 | WASHER 8 | 2 |
| 31 | PAGB/T5783-2000 | BOLT, HEXAGON M8X25 | 2 |
| 32 | PAF15-06020002 | BEARING | 1 |
| 33 | PAF15-06020003 | OIL SEAL, DRIVE SHAFT | 2 |
| 34 | PAF15-06040000 | DRIVE SHAFT ASSY L | 1 |
| 34 | PAF15-06040000S | DRIVE SHAFT ASSY S | 1 |
| 35 | PAF15-06000013 | KEY, WOODRUFF | 1 |
| 36 | PAF15-06000007 | OUTER PLATE | 1 |
| 37 | PAJASO F404-96 | O-RING | 1 |
| 38 | PAF15-06050000 | IMPELLER | 1 |
| 39 | PAF15-06060002 | INNER SHELL, WATER PUMP | 1 |
| 40 | PAF15-00000013 | PIN, DOWEL | 2 |
| 41 | PAF15-06060001 | WATER PUMP HOUSING | 1 |
| 42 | PAF15-06060004 | SEAL | 1 |
| 43 | PAF15-06000014 | FIXED PLATE, WATER PUMP | 3 |
| 44 | PAGB/T5783-2000 | BOLT, HEXAGON M8X45 | 4 |
| 45 | PAF15-06030000 | CAM ASSY, SHIFT ROD L | 1 |
| 45 | PAF15-06030000S | CAM ASSY, SHIFT ROD S | 1 |
| 46 | PAF15-06000020 | BEARING | 1 |
| 47 | PAF15-06000008 | SHIM, PINION (t:1.13mm) | 1 |
| 47 | PAF15-06000009 | SHIM, PINION (t:1.20mm) | 1 |
| 48 | PAF15-06000011 | PINION | 1 |
| 49 | PAF15-06000012 | NUT, PINION | 1 |
| 50 | PAF15-0600000L | COMPLETE GEAR HOUSING LARGE | 1 |
| 50 | PAF15-0600000S | COMPLETE GEAR HOUSING SMALL | 1 |

COLA INFERIOR 2 - Lower casing & drive 2 - Parte inferiore piede 2

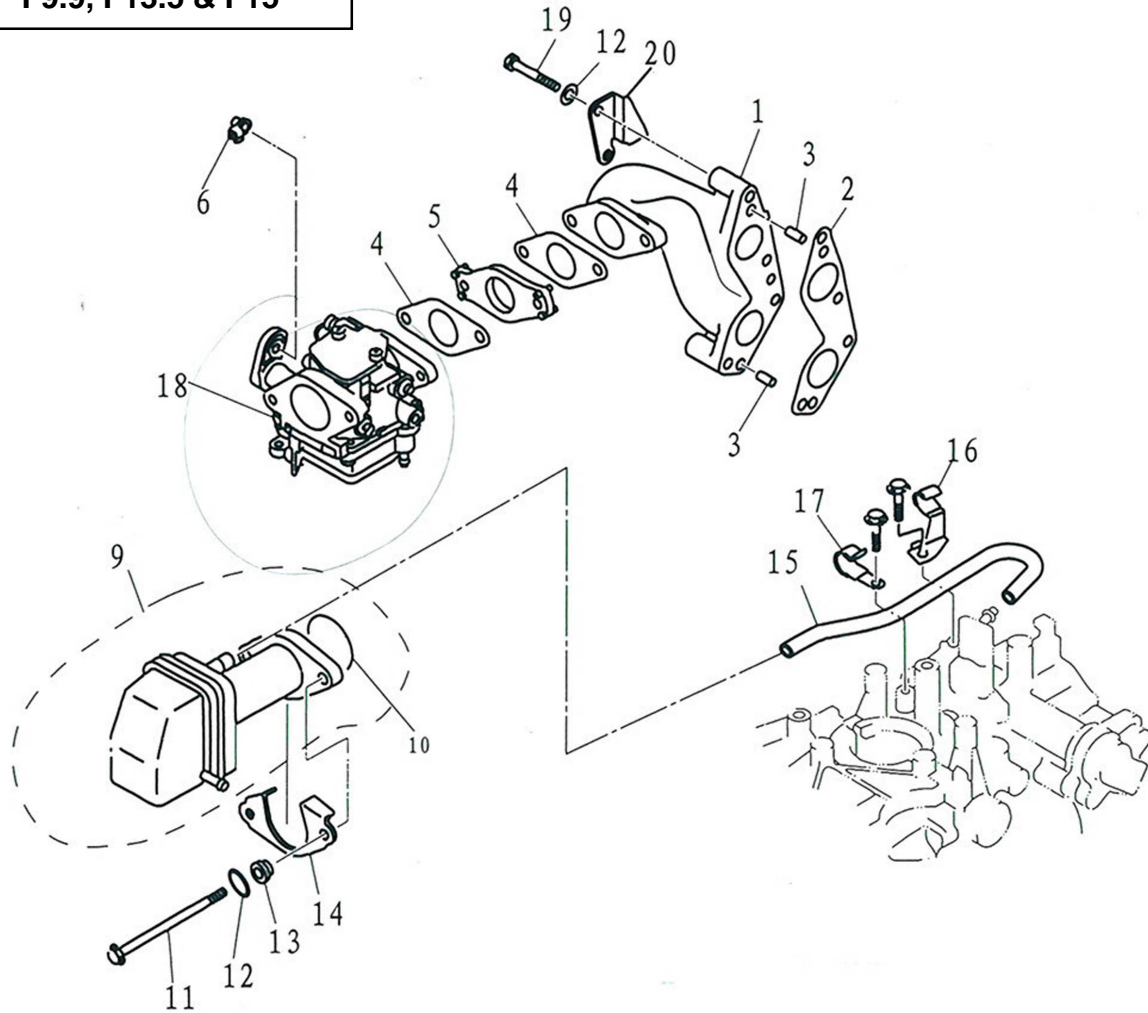
**MOTOR - Engine - Motore
F9.9, F13.5 & F15**



| Nº | REF. PARSUN Ref. Parsun Ref. Parsun | DESCRIPCIÓN Description Descrizione | CANTIDAD Quantity Quantità |
|----|-------------------------------------------|-------------------------------------------|----------------------------------|
| 1 | PAGB/T820-85 | SCREW | 1 |
| 2 | PAF15-06000003 | WATER INLET B | 1 |
| 3 | PAGB/T5783-2000 | BOLT, HEXAGON | 1 |
| 4 | PAGB/T97.1-85 | WASHER | 1 |
| 5 | PAGB/T861.1-87 | WASHER, LOCKING | 1 |
| 6 | PAF15-06000004 | ANODE | 1 |
| 7 | PAF15-06000015 | CUSHION, PROPELLER | 1 |
| 8 | PAF15-06090000 | PROPELLER ASSY | 1 |
| 9 | PAGB/T96-85 | WASHER 10 | 1 |
| 10 | PAF15-06000016 | NUT, HEXAGON | 1 |
| 11 | PAGB/T91-86 | PIN, COTTER | 1 |
| 12 | PAGB/T5783-2000 | BOLT, HEXAGON | 4 |
| 13 | PAGB/T97.1-85 | WASHER | 4 |
| 14 | PAF15-06020005 | SEAL, RUBBER | 1 |
| 15 | PAF15-02010003 | UPPER SEAL, WATER PIPE | 1 |
| 16 | PAF15-02000005 | TUBE, WATER | 1 |
| 16 | PAF15-02000005S | TUBE, WATER SMALL | 1 |
| 17 | PAF15-02000006 | QUADRATE SEAL, WATER PIPE | 1 |
| 18 | PAF15-00000013 | PIN, DOWEL | 2 |
| 19 | PAGB/T6182-86 | NUT, LOCKING | 1 |
| 20 | PAF15-06000002 | WATER INLET A | 1 |
| 21 | PAF15-06100000 | LOWER CASING ASSY | 1L |
| 21 | PAF15-061000005 | LOWER CASING ASSY | 1S |

ADMISIÓN - Intake - Aspirazione

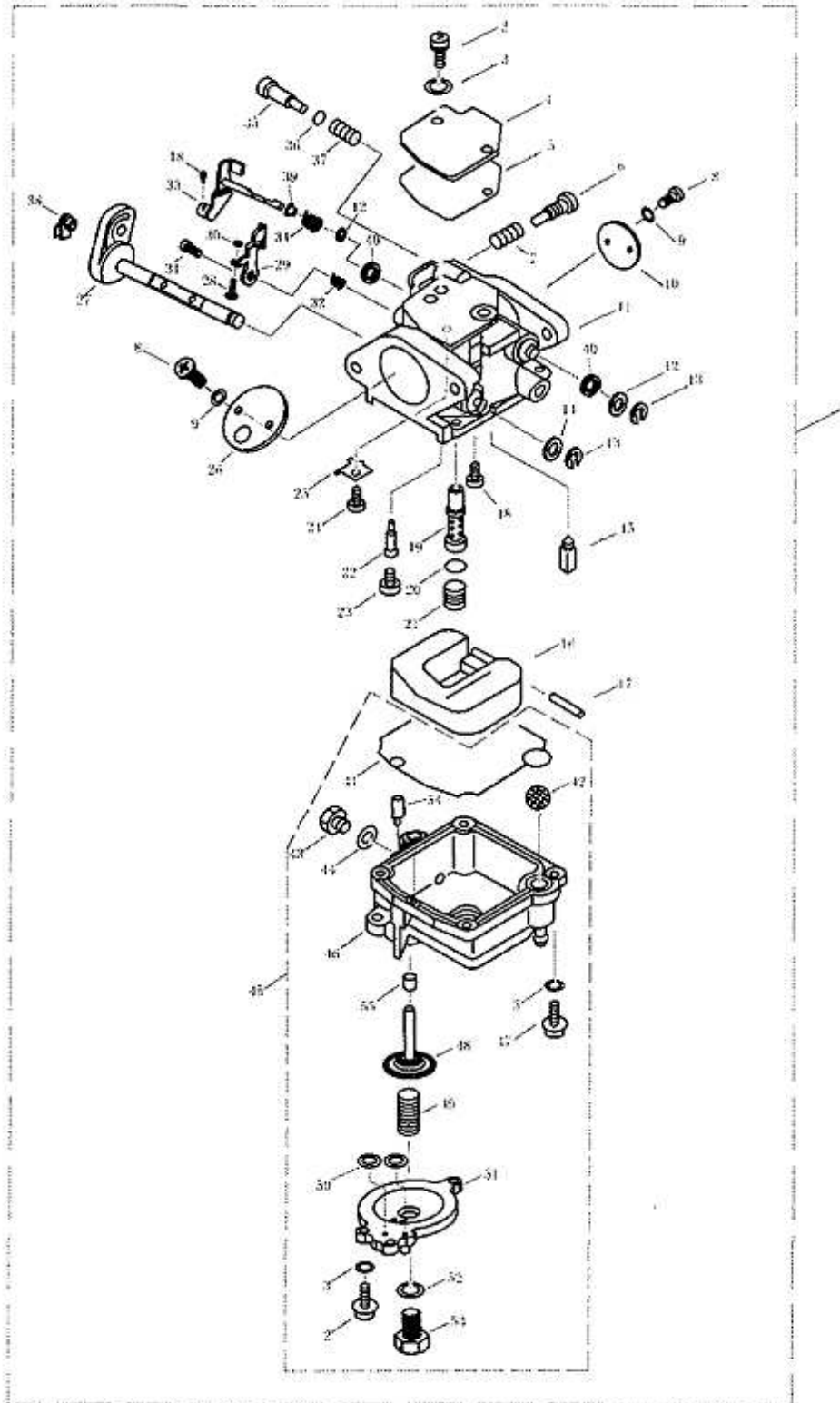
MOTOR - Engine - Motore
F9.9, F13.5 & F15



| Nº | REF.PARSUN Ref. Parsun Ref. Parsun | DESCRIPCIÓN Description Descrizione | CANTIDAD Quantity Quantità |
|----|------------------------------------------|-------------------------------------------|----------------------------------|
| 1 | PAF15-07000008 | MANIFOLD, INTAKE | 1 |
| 2 | PAF15-07000007 | GASKET, MANIFOLD | 1 |
| 3 | PAF15-00000006 | PIN, DOWEL 16X12 | 2 |
| 4 | PAF15-07000017 | GASKET, CARBURETOR | 2 |
| 5 | PAF15-07000018 | INSULATOR, CARBURETOR | 1 |
| 6 | PAF15-05010003 | JOINT, CHOKE LEVER | 1 |
| 7 | PAF15-05010001 | CASE, STARTER | 1 |
| 8 | PAF15-05010100 | ROD, CHOKE | 1 |
| 9 | PAF15-07100000 | SILENCER ASSY, INTAKE | 1 |
| 10 | PAGB3452.1-82 | O-RING | 1 |
| 11 | PAGB/T5782-2000 | HEXAGON BOLT | 2 |
| 12 | PAGB/T97.1-85 | WASHER, PLATE | 6 |
| 13 | PAF15-07000021 | BUSHER, INTAKE SILENCER | 2 |
| 14 | PAF15-07000022 | PLATE, INTAKE SILENCER | 1 |
| 15 | PAF15-07010017 | PIPE, BREATHER | 1 |
| 16 | PAF15-07010016 | CLAMP B | 1 |
| 17 | PAF15-07010015 | CLAMP A | 1 |
| 18 | PAF15-07090000 | CARBURETOR | 1 |
| 19 | PAGB/T5783-2000 | BOLT | 4 |
| 20 | PAF15-07000009 | BRACKET, OIL SIEVE | 1 |

CARBURADOR - Carburetor - Carburatore

MOTOR - Engine - Motore
F9.9, F13.5 & F15

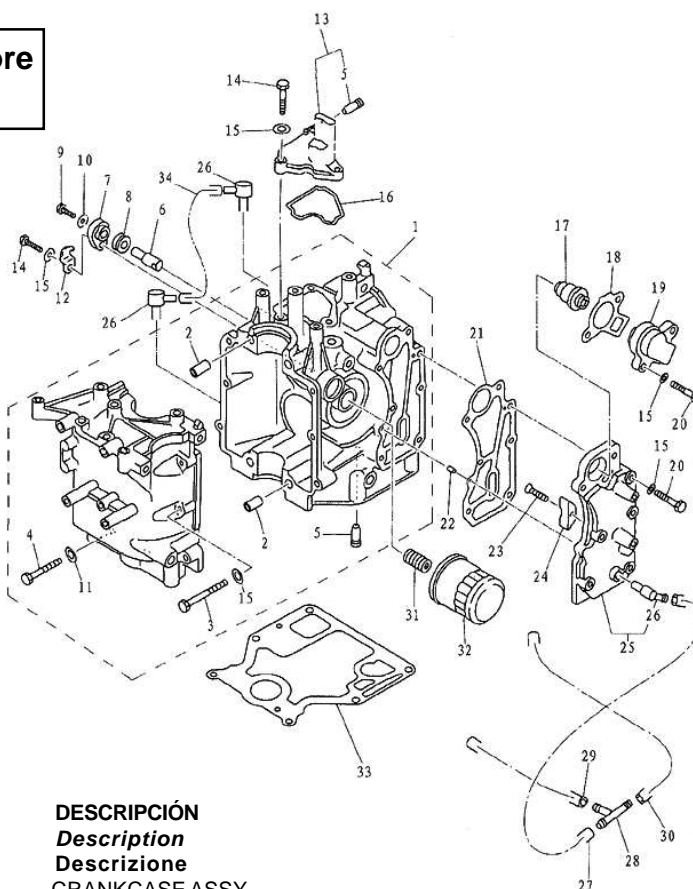


CARBURADOR - *Carburetor* - Carburatore

| Nº | REF. PARSUN <i>Ref. Parsun</i> Ref. Parsun | DESCRIPCIÓN <i>Description</i> Descrizione | CANTIDAD <i>Quantity</i> Quantità |
|----|--------------------------------------------------|--------------------------------------------------|-----------------------------------------|
| 1 | PAF15-07090000 | CARBURETOR ASSY | 1 |
| 2 | PAGB/T818-M4X10 | BOLT | 5 |
| 3 | PAGB/T93-4 | WASHER, SPRING | 9 |
| 4 | PAF15-07090003 | PLATE | 1 |
| 5 | PAF15-07090002 | GASKET | 1 |
| 6 | PAF15-07090009 | BOLT | 1 |
| 7 | PAF15-07090010 | SPRING, THORTTEL | 1 |
| 8 | PAGB/T818-M3X6 | BOLT | 4 |
| 9 | PAGB/T93-3 | WASHER, SPRING | 4 |
| 10 | PAF15-07090008 | APRON, ACCELERATOR | 1 |
| 11 | PAF15-07090001 | CARBURETOR | 1 |
| 12 | PAF15-07090006 | BUSH, LINK | 2 |
| 13 | PAGB/T896-86 | CIRCLIP | 2 |
| 14 | PAT6-005000815 | GASKET | 1 |
| 15 | PAF15-07090019 | VALVE, NEEDLE | 1 |
| 16 | PAF15-07090020 | FLOAT | 1 |
| 17 | PAF15-07090021 | PIN, FLOAT | 1 |
| 18 | PAGB/T818-M4X6 | BOLT | 1 |
| 19 | PAF15-07090022 | NOZZLE, MAIN | 1 |
| 20 | PAF15-07090024 | SEAL | 1 |
| 21 | PAF15-07090023 | JET, MAIN | 1 |
| 22 | PAF15-07090025 | JET, AIR SLOW | 1 |
| 23 | PAF15-07090026 | RUBBER CAP | 1 |
| 24 | PAGB/T818-M3X5 | BOLT | 1 |
| 25 | PAF15-07090018 | PLATE | 1 |
| 26 | PAF15-07090012 | APRON, CHOKE | 1 |
| 27 | PAF15-07090200 | LINK, CHOKE | 1 |
| 28 | PAF15-07090302 | BOLT, VALVE | 1 |
| 29 | PAF15-07090300 | SWING LINK, VALVE | 1 |
| 30 | PAGB/T6170-M3 | NUT M3 | 1 |
| 31 | PAF15-07090016 | BOLT | 1 |
| 32 | PAF15-07090017 | TWIST SPRING, SWING LINK | 1 |
| 33 | PAF15-07090100 | SWING LINK, ACCELERATOR | 1 |
| 34 | PAF15-07090005 | WRING SPRING | 1 |
| 35 | PAF15-07090013 | SCREW, AIR ADJUSTING | 1 |
| 36 | PAF15-07090014 | SEAL | 1 |
| 37 | PAF15-07090015 | SPRING, AIR ADJUSTING | 1 |
| 38 | PAT6-05000022 | TIE-IN | 1 |
| 39 | PAF15-07090004 | BUSH, SWING LINK | 2 |
| 40 | PAF15-07090007 | SEAL, RUBBER | 1 |
| 41 | PAF15-07090027 | GASKET, FLOAT CHAMBER | 1 |
| 42 | PAF15-07090402 | FILTER | 1 |
| 43 | PAF15-07090403 | SCREW, DRAIN | 1 |
| 44 | PAF15-07090404 | GASKET | 1 |
| 45 | PAF15-07090400 | BODY, FLOAT CHAMBER | 1 |
| 46 | PAF15-07090413 | CUP, BODY | 1 |
| 47 | PAGB/T818-M4X12 | BOLT | 4 |
| 48 | PAF15-07090407 | SEPTUM ASSY | 1 |
| 49 | PAF15-07090408 | SPRING, VALVE | 1 |
| 50 | PAF15-07090409 | SEAL | 2 |
| 51 | PAF15-07090410 | COVER, VALVE | 1 |
| 52 | PAF15-07090412 | WASHRE | 1 |
| 53 | PAF15-07090411 | BOLT, BLEEDER OIL | 1 |
| 54 | PAF15-07090401 | JET | 1 |
| 55 | PAF15-07090028 | CAP | 1 |

BLOQUE 1 - Cylinder & crandcase 1 - Blocco 1

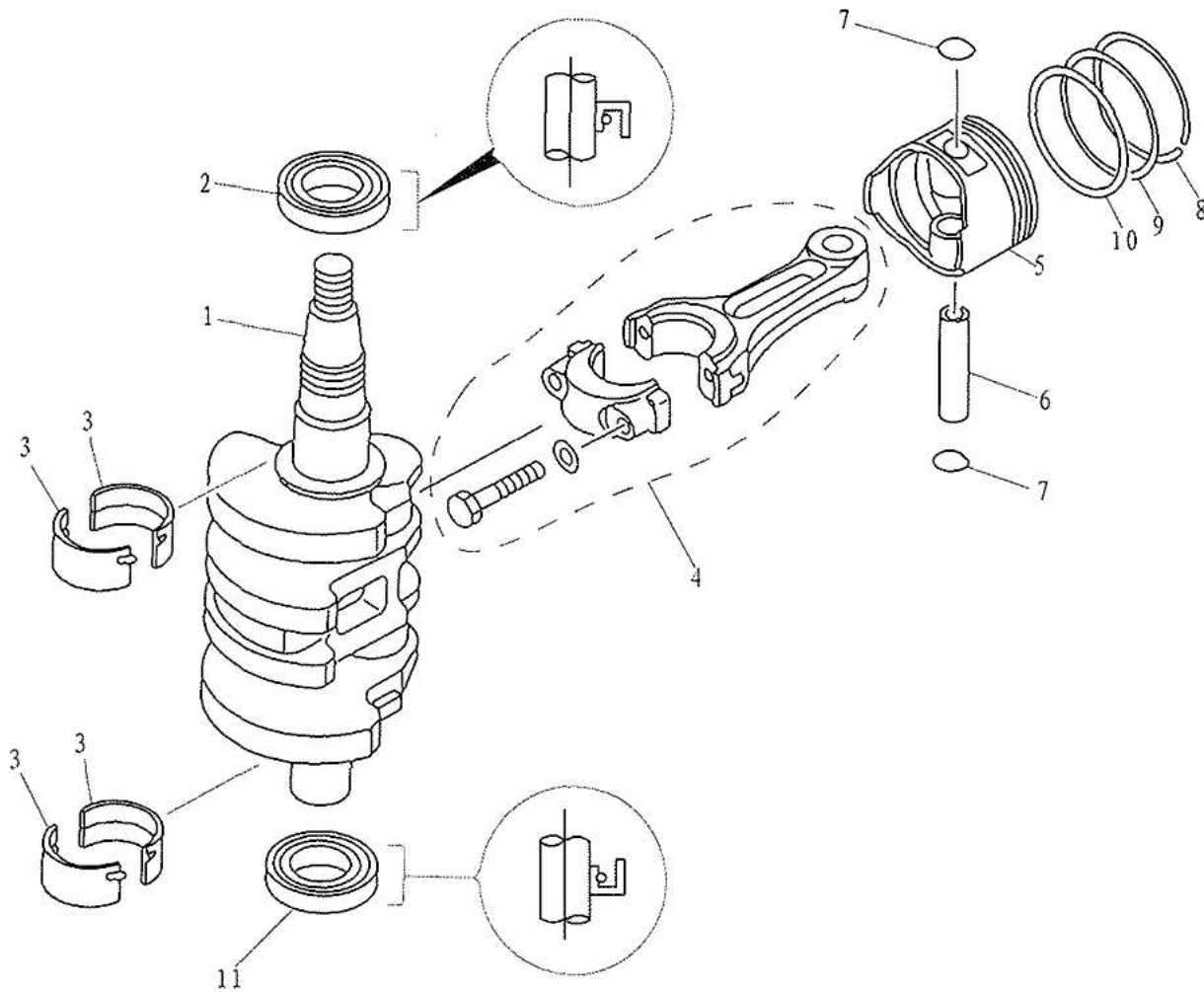
**MOTOR - Engine - Motore
F9.9, F13.5 & F15**



| Nº | REF. PARSUN <i>Ref. Parsun</i> Ref. Parsun | DESCRIPCIÓN <i>Description</i> Descrizione | CANTIDAD <i>Quantity</i> Quantità |
|----|--------------------------------------------------|--------------------------------------------------|-----------------------------------------|
| 1 | PAF15-07010000 | CRANKCASE ASSY | 1 |
| 2 | PAF15-07000001 | PIN, HOLLOW | 2 |
| 3 | PAGB/T5783-2000 | BOLT, HEXAGON | 6 |
| 4 | PAGB/T5783-2000 | BOLT, HEXAGON | 4 |
| 5 | PAF15-07010006 | PIPE, JOINT | 2 |
| 6 | PAF15-07010008 | ANODE | 1 |
| 7 | PAF15-07010011 | COVER, ANODE | 1 |
| 8 | PAF15-07010009 | GROMMET, ANODE | 1 |
| 9 | PAGB/T5783-2000 | SCREW, PAN HEAD | 1 |
| 10 | PAGB/T97.1-85 | WASHER 5 | 1 |
| 11 | PAGB/T97.1-85 | WASHER 8 | 4 |
| 12 | PAF15-07010012 | PLATE, ANODE | 1 |
| 13 | PAF15-07010013 | COVER, BREATHER | 1 |
| 14 | PAGB/T5783-2000 | BOLT | 4 |
| 15 | PAGB/T97.1-85 | WASHER 6 | 17 |
| 16 | PAF15-07010014 | BREATHER GASKET | 1 |
| 17 | PAF4-04000036 | THERMOSTAT | 1 |
| 18 | PAF15-07010022 | GASKET, THERMOSTAT | 1 |
| 19 | PAF15-07010021 | COVER, THERMOSTAT | 1 |
| 20 | PAGB/T5783-2000 | BOLT | 7 |
| 21 | PAF15-07010018 | GASKET, EXHAUST OUTER COVER | 1 |
| 22 | PAF15-00000013 | PIN | 2 |
| 23 | PAGB/T5783-2000 | SCREW | 1 |
| 24 | PAF15-07010026 | ANODE | 1 |
| 25 | PAF15-07010019 | OUTER COVER, EXHAUST | 1 |
| 26 | PAF15-04000005 | WATER NIPPLE | 3 |
| 27 | PAF15-05000012 | HOSE A | 1 |
| 28 | PAF15-05000011 | THREE-WAY PIPE | 1 |
| 29 | PAF15-05000013 | HOSE B | 1 |
| 30 | PAF15-05000014 | HOSE C | 1 |
| 31 | PAF15-07010003 | BOLT UNION | 1 |
| 32 | PAF15-07010023 | OIL CLEANER | 1 |
| 33 | PAF15-00000014 | GASKET, ENGINE | 1 |
| 34 | PAF15-07010007 | HOSE, RETURN OIL | 1 |

CIGÜEÑAL Y PISTONES - Crankshaft & piston - Albero motore

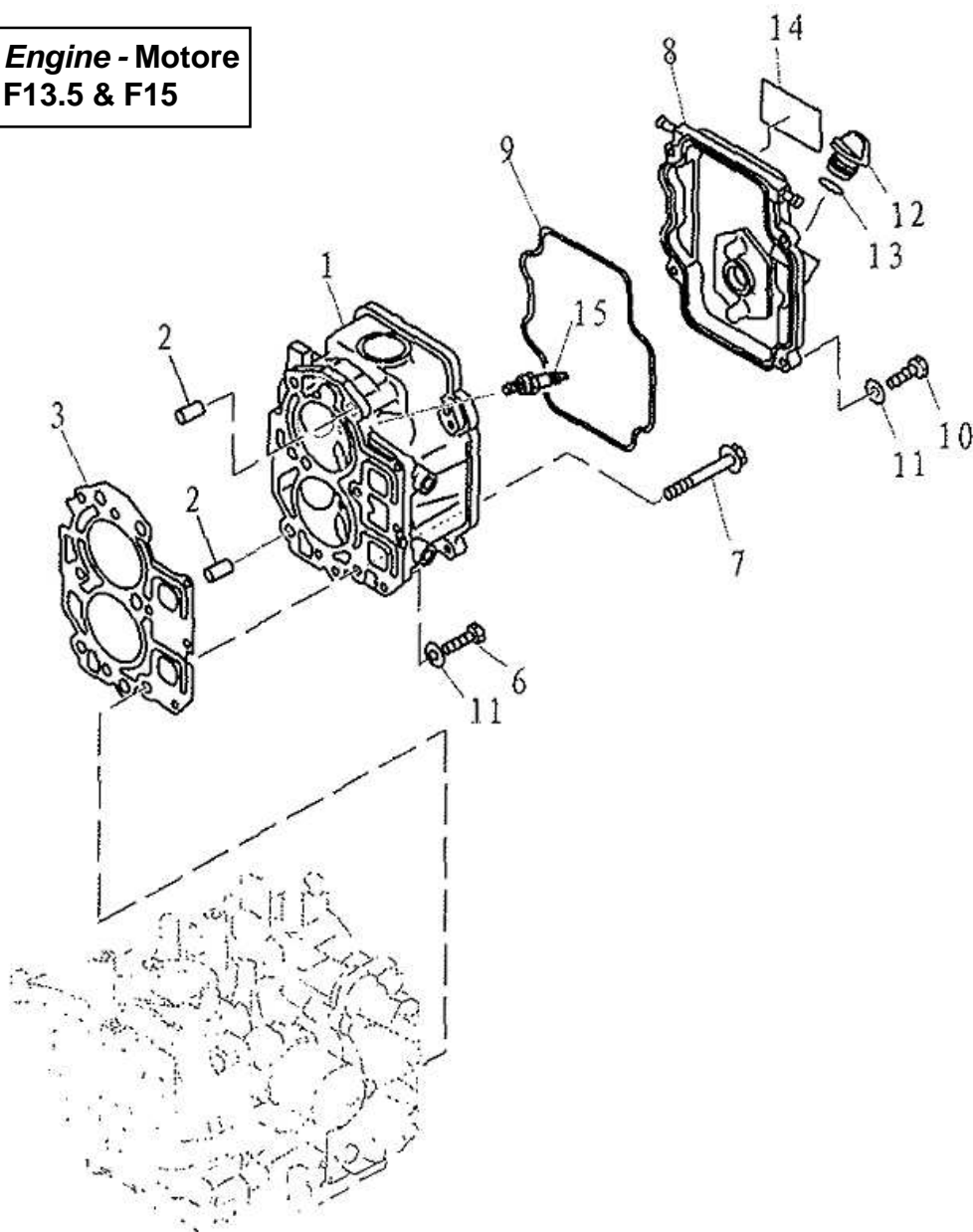
MOTOR - Engine - Motore
F9.9, F13.5 & F15



| Nº | REF. PARSUN Ref. Parsun Ref. Parsun | DESCRIPCIÓN Description Descrizione | CANTIDAD Quantity Quantità |
|----|-------------------------------------------|-------------------------------------------|----------------------------------|
| 1 | PAF15-07030000 | CRANK ASSY | 1 |
| 2 | PAF15-07030006 | OIL SEAL A | 1 |
| 3 | PAF15-07010024 | MAIN BEARING | 4 |
| 4 | PAF15-07020100 | ROD, CONNECTING | 2 |
| 5 | PAF15-07020001 | PISTON | 2 |
| 6 | PAF15-07020006 | PIN, PISTON | 2 |
| 7 | PAF15-07020005 | CIRCLIP | 4 |
| 8 | PAF15-07020002 | PISTON RING I | 2 |
| 9 | PAF15-07020003 | PISTON RING II | 2 |
| 10 | PAF15-07020004 | COMBINATION OIL RING | 2 |
| 11 | PAF15-07030007 | OIL SEAL B | 1 |
| 12 | PAF15-07020104 | WASHER, PLATE | 4 |
| 13 | PAF15-07020103 | BOLT CONNECTING ROD | 4 |

BLOQUE 2 - Cylinder & cranckase 2 - Blocco 2

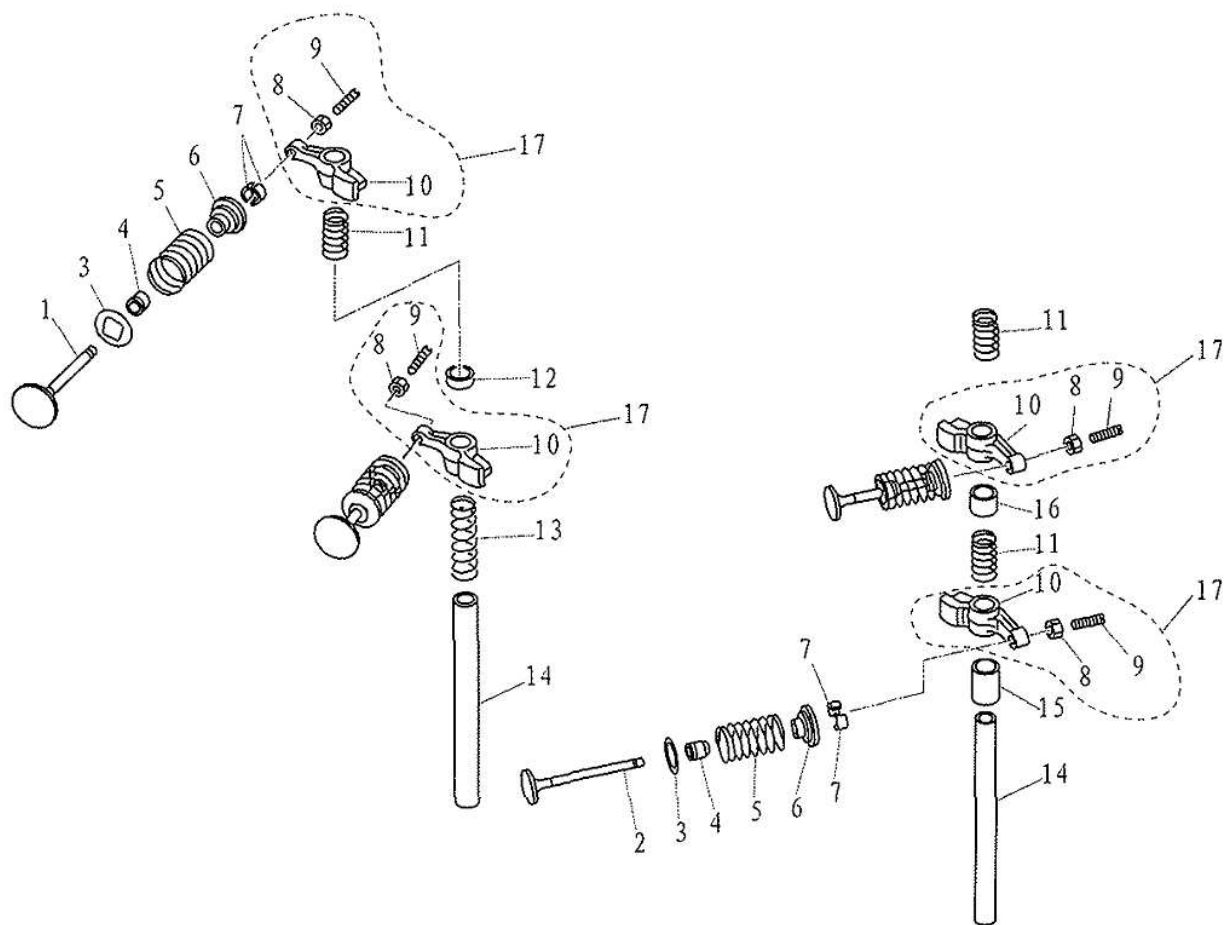
MOTOR - Engine - Motore
F9.9, F13.5 & F15



| Nº | REF. PARSUN <i>Ref. Parsun</i> | DESCRIPCIÓN <i>Description</i> | CANTIDAD <i>Quantity</i> |
|----|-----------------------------------|-----------------------------------|-----------------------------|
| | <i>Ref. Parsun</i> | <i>Descrizione</i> | <i>Quantità</i> |
| 1 | PAF15-07040100 | CYLINDER HEAD ASSY | 1 |
| 2 | PAF15-07000001 | HOLLOW PIN | 2 |
| 3 | PAF15-07000100 | GASKET, CYLINDER HEAD | 1 |
| 4 | PAF15-07040104 | VALVE GUIDE BUSH | 4 |
| 5 | PAF15-07040105 | CIRCLIP, GUIDE BUSH | 4 |
| 6 | PAGB/T5783-2000 | BOLT, HEXAGON | 3 |
| 7 | PAF15-07000028 | BOLT, FLANGE | 6 |
| 8 | PAF15-07050001 | COVER, CYLINDER HEAD | 1 |
| 9 | PAF15-07050002 | SEAL, CYLINDER COVER | 1 |
| 10 | PAGB/T5783-2000 | BOLT, HEXAGON | 4 |
| 11 | PAGB/T97.1-85 | WASHER, PLATE | 7 |
| 12 | PAF15-07050004 | PLUG, OIL | 1 |
| 13 | PAJA80 F404 31-025 | O-RING | 1 |
| 14 | PAF15-10030001 | MARK4 | 1 |
| 15 | NGKDPR7EA-9 | SPARK PLUG | 2 |

VÁLVULAS - Valve - Valvole

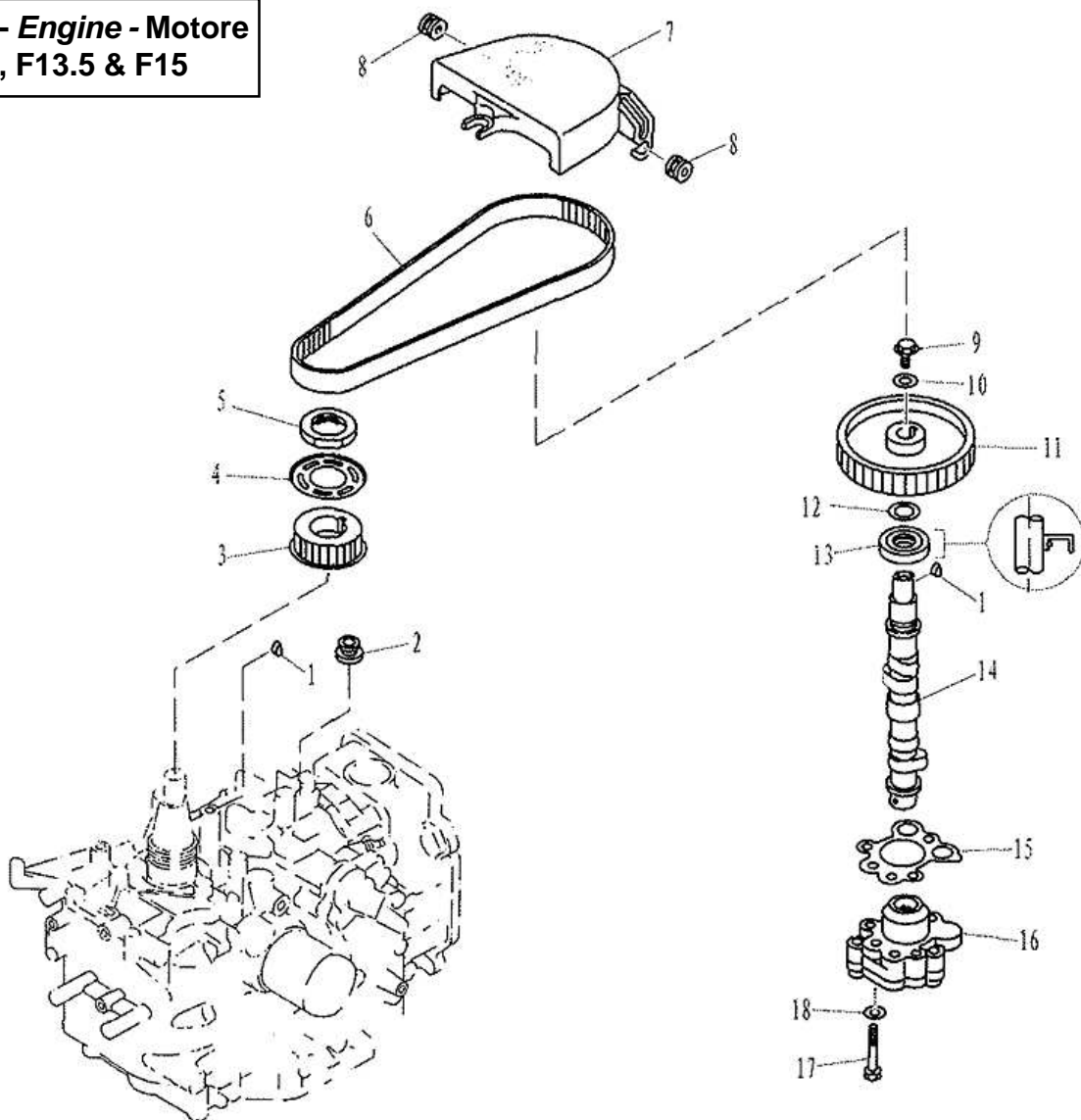
MOTOR - Engine - Motore
F9.9, F13.5 & F15



| Nº | REF. PARSUN Ref. Parsun Ref. Parsun | DESCRIPCIÓN Description Descrizione | CANTIDAD Quantity Quantità |
|----|-------------------------------------------|-------------------------------------------|----------------------------------|
| 1 | PAF15-07040001 | VALVE, INTAKE | 2 |
| 2 | PAF15-07040002 | VALVE, EXHAUST | 2 |
| 3 | PAF15-07040004 | SEAL, VALVE SPRING | 4 |
| 4 | PAPS2700.04.03 | SEAL, VALVE STEM | 4 |
| 5 | PAF15-07040005 | SPRING, VELVE | 4 |
| 6 | PAF15-07050006 | RETAINER, VALVE SPRINGRE | 4 |
| 7 | PAF15-07040007 | COTTER, VALVE | 8 |
| 8 | PAF15-07040304 | LOCK NUT | 4 |
| 9 | PAF15-07040303 | SCREW, VALVE ADJUSTING | 4 |
| 10 | PAF15-07040301 | ROCKER | 4 |
| 11 | PAF15-07040014 | SPRING, ROCKER B | 3 |
| 12 | PAF15-07040009 | BUSHER, VALVE INTAKE | 1 |
| 13 | PAF15-07040013 | SPRING, ROCKER A | 1 |
| 14 | PAF15-07040015 | SHAFT, ROCKER | 2 |
| 15 | PAF15-07040012 | BUSHER, VALVE EXHAUST B | 1 |
| 16 | PAF15-07040011 | BUSHER, VALVE EXHAUST A | 1 |

ÁRBOL DE LEVAS - *Camshaft* - Asse a camme

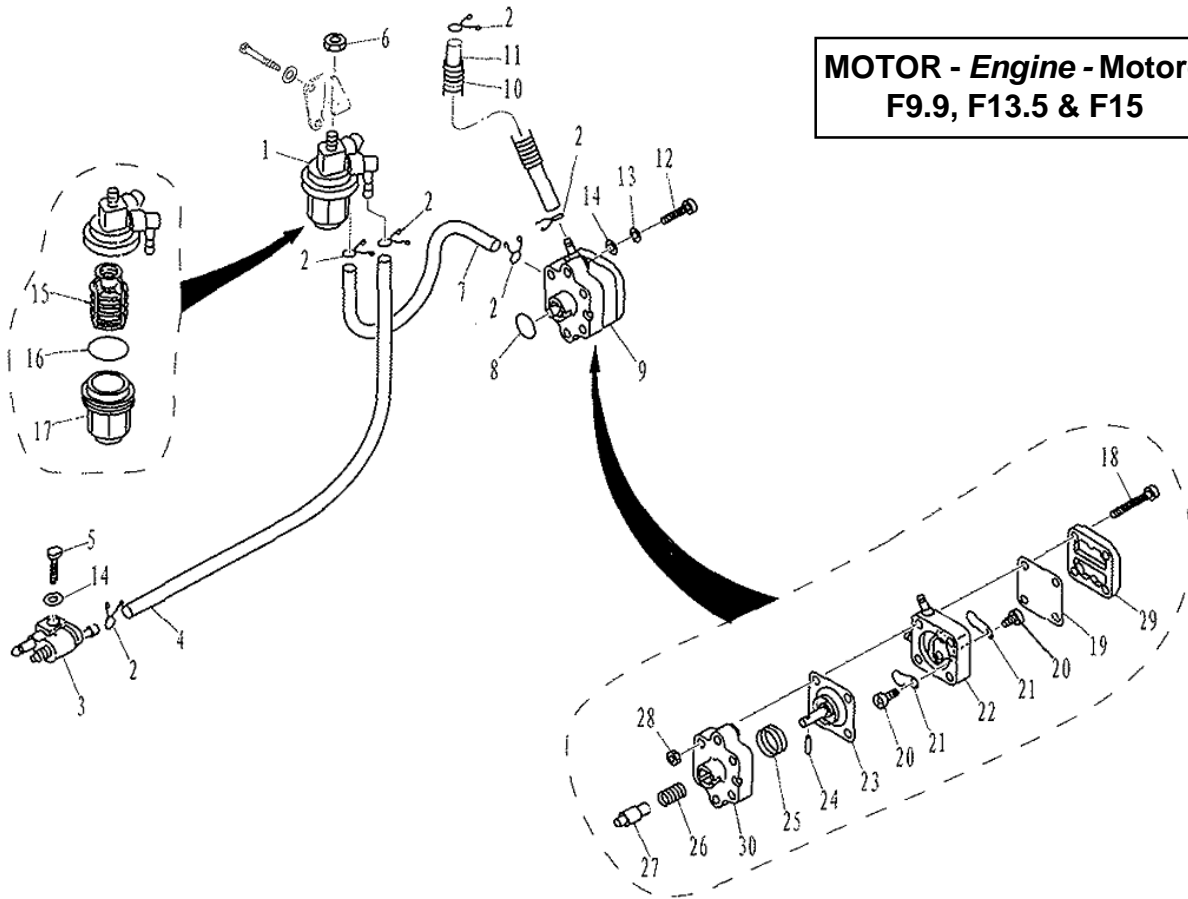
MOTOR - Engine - Motore
F9.9, F13.5 & F15



| Nº | REF. PARSUN <i>Ref. Parsun</i> Ref. Parsun | DESCRIPCIÓN <i>Description</i> Descrizione | CANTIDAD <i>Qty</i> Quantità |
|----|--------------------------------------------------|--------------------------------------------------|------------------------------------|
| 1 | PAGB/T1099-1979 | KEY, WOODRUFF | 1 |
| 2 | PAF15-07010027 | RUBBER RINGB | 1 |
| 3 | PAF15-07030003 | BELT PULLEY, TIMING | 1 |
| 4 | PAF15-07030004 | WASHER | 1 |
| 5 | PAF15-07030005 | NUT | 1 |
| 6 | PAF15-07000002 | BELT, TIMING | 1 |
| 7 | PAF15-07000024 | COVER, DUST | 1 |
| 8 | PAF15-07050003 | RING RUBBER A | 2 |
| 9 | PAGB/T5783-2000 | BOLT | 1 |
| 10 | PAGB/T5287-85 | BIG WASHER | 1 |
| 11 | PAF15-07040018 | BELT PULLEY, DRIVEN | 1 |
| 12 | PAF15-07040017 | WASHER | 1 |
| 13 | PAF15-07040008 | OIL SEAL | 1 |
| 14 | PAF15-07040200 | CAMSHAFT ASSY | 2 |
| 15 | PAF15-07040016 | MAT, QIRPROOF | 1 |
| 16 | PAF15-07040500 | OIL PUMP ASSY | 1 |
| 17 | PAGB/T5783-2000 | BOLT | 3 |
| 18 | PAGB/T97.1-85 | WASHER | 3 |

COMBUSTIBLE - Fuel - Impianto carburante

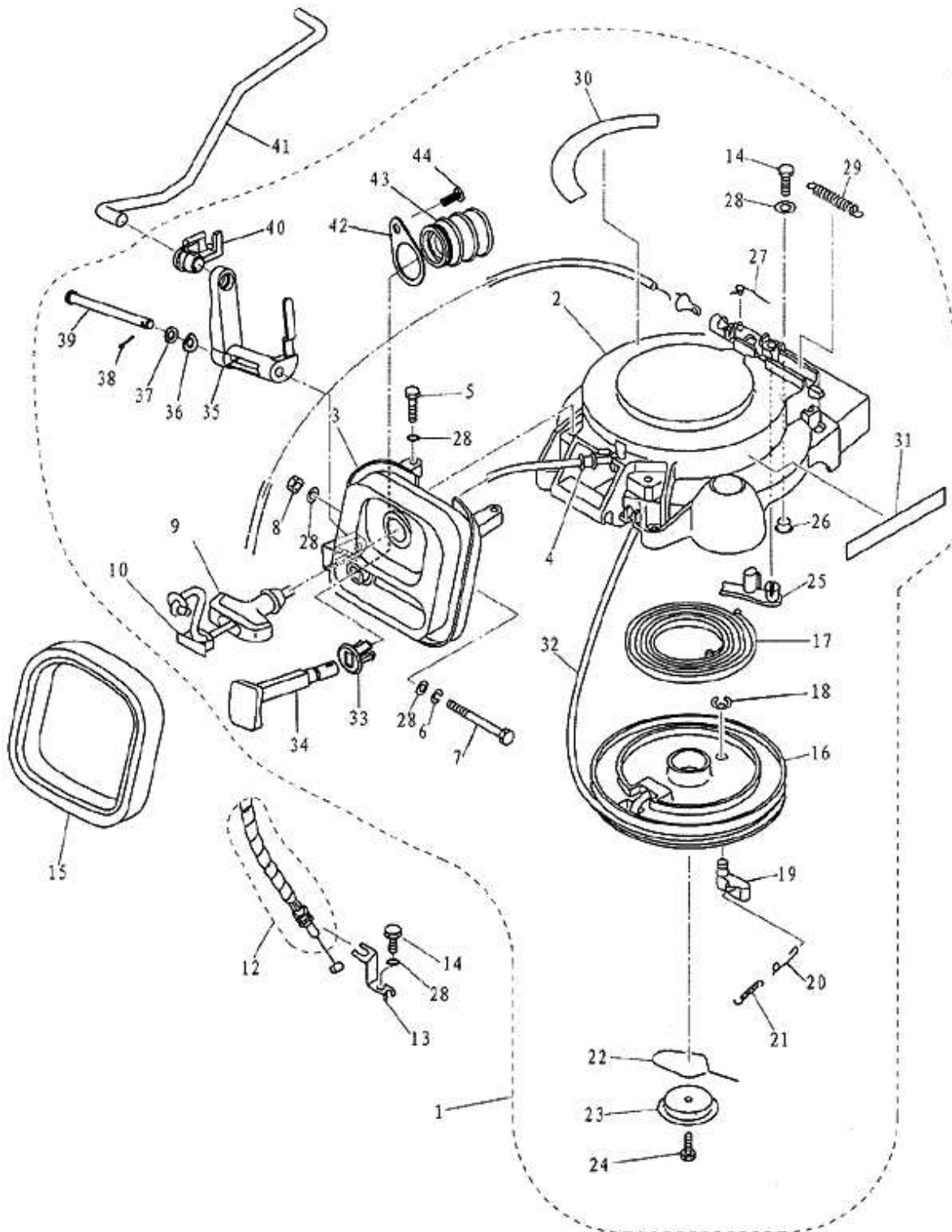
MOTOR - Engine - Motore
F9.9, F13.5 & F15



| Nº | REF. PARSUN Ref. Parsun Ref. Parsun | DESCRIPCIÓN Description Descrizione | CANTIDAD Quantity Quantità |
|----|-------------------------------------------|-------------------------------------------|----------------------------------|
| 1 | PAF15-07080000 | FILTER ASSY | 1 |
| 2 | PAF4-04000030 | SPRING, FUEL PIPE "B" | 6 |
| 3 | PAF4-05000200 | FUEL PIPE TIE-IN ASSY | 1 |
| 4 | PAF15-05000016 | PIPE, FUEL | 1 |
| 5 | PAGB/T5783-2000 | BOLT | 1 |
| 6 | PAGB/T6170-2000 | NUT | 1 |
| 7 | PAF15-07000027 | HOSE | 1 |
| 8 | PAJASO F404/A-24-021 | O-RING | 1 |
| 9 | PAF15-07140000 | FUEL PUMP ASSY | 1 |
| 10 | PAF15-07000026 | JACKET | 1 |
| 11 | PAF15-07000025 | HOSE | 1 |
| 12 | PAGB/T823-1988 | SCREW, SMALL PAN HEAD | 2 |
| 13 | PAGB/T93-1987 | WASHER, SPRING 6 | 2 |
| 14 | PAGB/T97.1-85 | WASHER, PLATE 6 | 3 |
| 15 | PAF15-07080001 | ELEMENT, FILTER | 1 |
| 16 | PAGB/T3452.1-1992 | WASHER, CUP FILTER | 1 |
| 17 | PAF15-07080002 | CUP, FILTER | 1 |
| 18 | PAGB/T818-85 | SCREW, PAN HEAD | 4 |
| 19 | PAF4-04090004 | DIAPHRAGM, TOP | 1 |
| 20 | PAF4-04090011 | SCREW, VALVE | 2 |
| 21 | PAF4-04090005 | PLATE | 2 |
| 22 | PAF15-07140002 | FUEL PUMP SHELL | 1 |
| 23 | PAF15-07140100 | DIAPHRAGM ASSY | 1 |
| 24 | PAGB/T309-2000 | ROLLER NEEDLE | 1 |
| 25 | PAF15-07140005 | SPRING, DIAPHRAGM | 1 |
| 26 | PAF15-07140004 | SPRING, PLUNGER | 1 |
| 27 | PAF15-07140003 | PLUNGER | 1 |
| 28 | PAGB/T6170-2000 | NUT | 4 |
| 29 | PAF4-04090003 | COVER, FUEL PUMP | 1 |
| 30 | PAF15-07140001 | SEAT, FUEL PUMP | 1 |

ARRANQUE - Starter - Avviamento

MOTOR - Engine - Motore
F9.9, F13.5 & F15

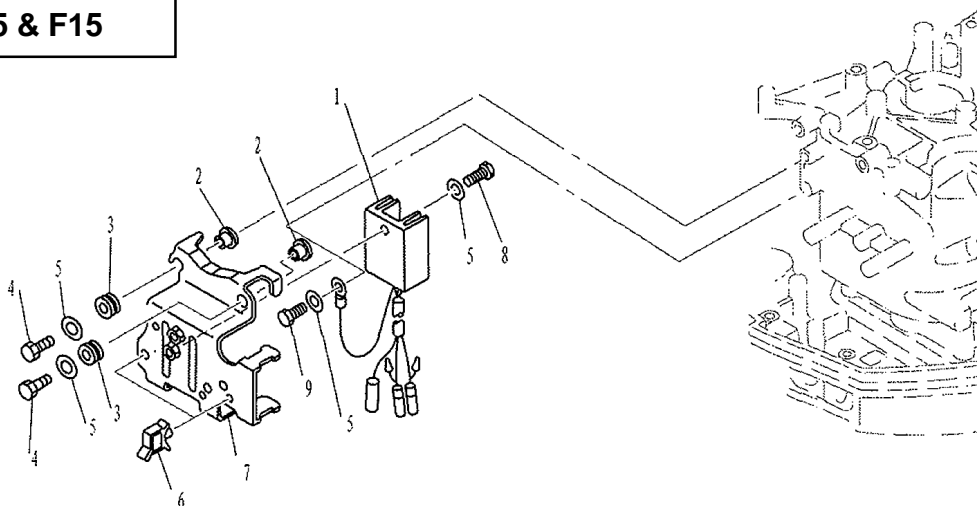


ARRANQUE - Starter - Avviamento

| Nº | REF. PARSUN <i>Ref. Parsun</i> Ref. Parsun | DESCRIPCIÓN <i>Description</i> Descrizione | CANTIDAD <i>Qty</i> Quantità |
|----|--------------------------------------------------|--------------------------------------------------|------------------------------------|
| 1 | PAF15-07130000 | STARTER ASSY | 1 |
| 2 | PAF15-07130101 | CASE, STARTER | 1 |
| 3 | PAF15-07130300 | FRAME, STARTER | 1 |
| 4 | PAF4-04130013 | COLLAR | 1 |
| 5 | PAGB/T5783-2000 | BOLT M6X25 | 2 |
| 6 | PAGB/T93-1987 | WASHER, SPRING | 1 |
| 7 | PAGB/T5782-2000 | BOLT M6X90 | 1 |
| 8 | PAGB/T9710-2000 | NUT N6 | 1 |
| 9 | PAF4-04130101 | HANDLE, STARTER | 1 |
| 10 | PAF4-04130102 | COVER | 1 |
| 11 | PAF15-07130305 | GROMMET | 1 |
| 12 | PAF15-05000028 | ARRESTER TIGHTWIRE ASSY | 1 |
| 13 | PAF15-05000027 | FRAME, ARRESTER TIGHTWIRE | 1 |
| 14 | PAGB/T5783-2000 | BOLT M6X20 | 3 |
| 15 | PAF15-07130304 | SEAL, FROTHY RUBBER | 1 |
| 16 | PAF15-07130201 | WHEEL, START-UP | 1 |
| 17 | PAF15-07130107 | SPRING MVOLUTE | 1 |
| 18 | PAGB/T896-86 | CIRCLIP 8 | 1 |
| 19 | PAF15-07130202 | PAWL, DRIVE | 1 |
| 20 | PAF15-07130204 | LINK, PAWL | 1 |
| 21 | PAF15-07130203 | SPRING, TENSION | 1 |
| 22 | PAF15-07130002 | SPRING, DRIVE PLATE | 1 |
| 23 | PAF15-07130001 | PLATE, DRIVE | 1 |
| 24 | PAGB/T5783-2000 | BOLT M6X16 | 1 |
| 25 | PAF15-07130105 | ARRESTER | 1 |
| 26 | PAF15-07130102 | BUSH, SHOULDER | 3 |
| 27 | PAF15-07130106 | SPRING, ARRESTER | 1 |
| 28 | PAGB/T97.1-85 | WASHER PLATE | 8 |
| 29 | PAF15-05000029 | TIGHTWIRE, SPRING | 1 |
| 30 | PAF15-12000002 | MARK 2 | 1 |
| 31 | PAF15-12000003 | MARK 3 | 1 |
| 32 | PAF15-07130205 | START LING | 1 |

RECTIFICADOR - Rectifier - Rectificatore

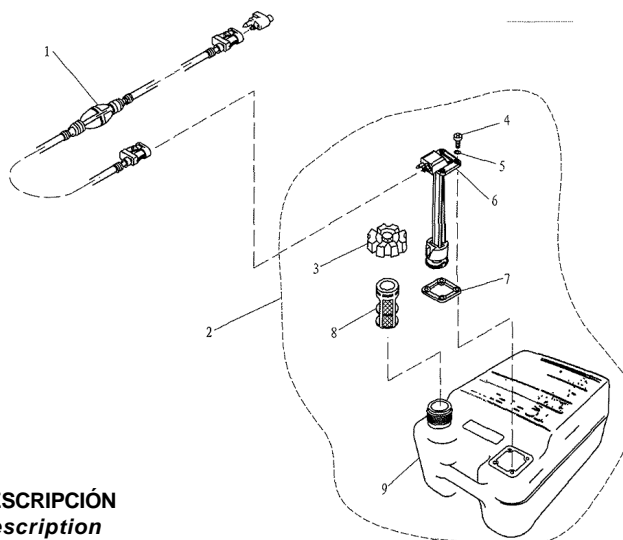
MOTOR - Engine - Motore
F9.9, F13.5 & F15



| Nº | REF.PARSUN <i>Ref. Parsun</i> Ref. Parsun | DESCRIPCIÓN <i>Description</i> <i>Descrizione</i> | CANTIDAD <i>Quantity</i> <i>Quantità</i> |
|----|-------------------------------------------------|---------------------------------------------------------|------------------------------------------------|
| 1 | PAF15-07060001 | RECTIFIER & REGULATOR ASSY | 1 |
| 2 | PAF15-07060004 | LINER | 4 |
| 3 | PAF15-07060003 | GASKET, SHOCK ABSORPTION | 4 |
| 4 | PAGB/T5783-2000 | HEXAGON BOLT | 4 |
| 5 | PAGB/T97.1-2002 | WASHER 6 | 6 |
| 6 | PAF15-07060005 | QUADRATE CLAMP | 2 |
| 7 | PAF15-07060002 | BRACKET, RECTIFIER | 1 |
| 8 | PAGB/T5783-2000 | HEXAGON BOLT | 1 |
| 9 | PAGB/T5783-2000 | HEXAGON BOLT | 1 |

DESPÓSITO COMBUSTIBLE - Fuel tank - Serbatoio carburante

MOTOR - Engine - Motore
F9.9, F13.5 & F15



| Nº | REF.PARSUN <i>Ref. Parsun</i> Ref. Parsun | DESCRIPCIÓN <i>Description</i> <i>Descrizione</i> | CANTIDAD <i>Quantity</i> <i>Quantità</i> |
|----|-------------------------------------------------|---------------------------------------------------------|------------------------------------------------|
| 1 | PAF15-09000000 | OIL TUBE ASSY | 1 |
| 2 | PAF15-10000000 | FUEL TANK ASSY | 1 |
| 3 | PAF15-10010000 | COVER ASSY, FUEL TANK | 1 |
| 4 | PAGB/T818-2000 | SCREW, PAN HEAD | 4 |
| 5 | PAGB/T97.1-85 | WASHER | 4 |
| 6 | PAF15-10020000 | OLEOMETER ASSY | 1 |
| 7 | PAF15-10000003 | GASKET | 1 |
| 8 | PAF15-10000002 | STRAINER | 1 |
| 9 | PAF15-10000001 | FUEL TANK | 1 |