

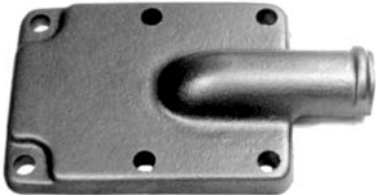


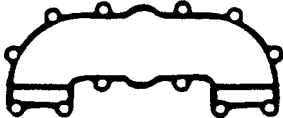

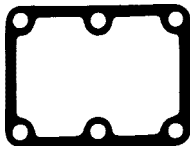



COLECTORES, CODOS, TAPAS Y JUNTAS - Manifolds, elbows, end caps & gaskets

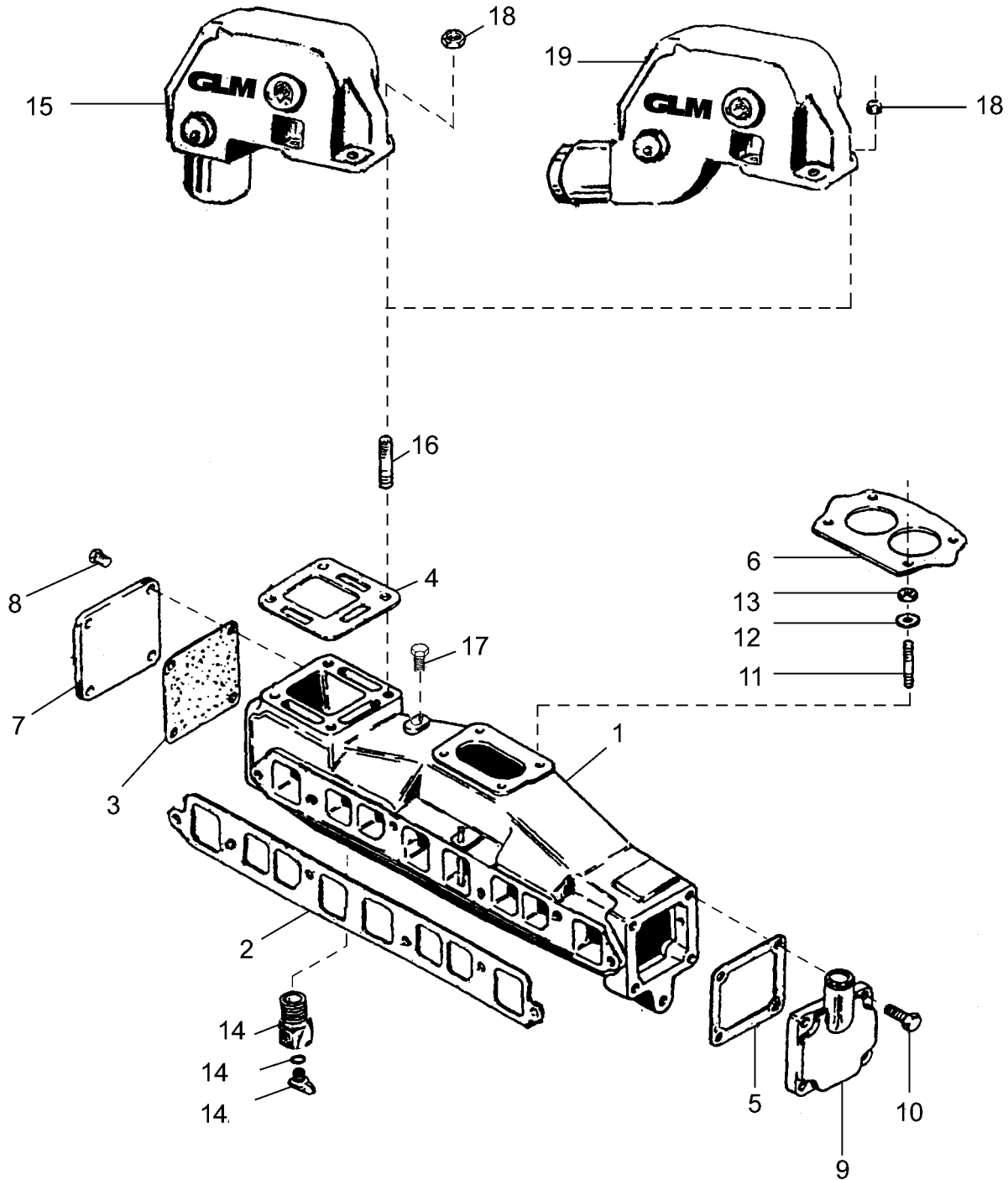
Modelo motor - Engine model 153 CID - 120 HP

<p>BAMC-1-63122 COLECTOR <i>Manifold</i> R.O.: 63122A10, 63122A13</p> 	<p>BAMC-20-55538 CODO <i>Elbow</i> R.O.: 39920A1, 55538A2</p> 	
<p>A/P5007 TAPA COLECTOR <i>End cap assy</i> R.O.: 47638A1</p> 	<p>GLM51030 TAPA COLECTOR <i>End cap assy</i> R.O.: 73811A1</p> 	
<p>FEL17300 JUNTA COLECTOR <i>Manifold gasket</i> R.O.: 27-52546</p> 	<p>GLM31390 JUNTA COLECTOR <i>Manifold gasket</i> R.O.: 27-35898T</p> 	<p>GLM31410 JUNTA CODO <i>Elbow gasket</i> R.O.: 27-39915</p> 
<p>GLM30190 JUNTA TAPA <i>End cap gasket</i> R.O.: 27-39917</p> 	<p>GLM31420 JUNTA TAPA <i>End cap gasket</i> R.O.: 27-39923</p> 	



MERCURUISER

MODELO - Model 140 INLINE 4, GM 181 CID, 4-CYL. (1968-82)

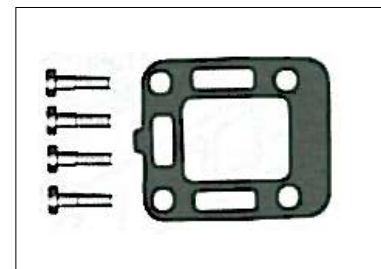


MODEL 140-INLINE 4, GM 181 CID 4-CYL. (1968-82)

Ref. No.	GLM No.	OEM No.	Description	Qty.
1	51212	96705A1	Colector <i>Exhaust Manifold Assembli</i>	1
2	31570	27-53354	Junta colector <i>Gasket-Exhaust Manifold</i>	1
2	FEL17301	27-58854	Kit Juntas <i>Gasket-kit</i>	1
3	30920	27-807218	Junta <i>Gasket-End Cap</i>	1
4	31520	27-99777-2	Junta <i>Gasket Exhaust Manifold to Elbow</i>	1
5	31490	27-48043-1	Junta <i>Gasket-End Cap</i>	1
6	31660	27-64692	Junta <i>Gasket Carburetor Base</i>	1
7	51030	73813A1	Tapa <i>End Cap-Exhaust Manifold Contents Ref.3</i>	1
8	22443	10-25299	Tornillo <i>Screw-End Cap</i>	4
9	51010	60252A2	Tapa <i>End Cap-Exhaust Manifold</i>	1
10	21756	10-35386	Tornillo <i>Screw-End cap</i>	4
11	22482	16-70236	Esparrago <i>Stud-Carburetor</i>	4
12	21664	12-20084	Arandela <i>Washer-Carburetor</i>	4
13	19354	11-25594	Tuerca <i>Locknut-Carburetor</i>	4
14	13980	22-862557	Tornilleria <i>Straight Fitting</i>	1
15	51120	76351A2	Codo Escape <i>Exhaust Elbow Assembli 3" 90 Degree Angle</i>	1
16	22391	16-49545	Esparrago <i>Stud</i>	4
17	21887	22-36382	Tapon <i>Plug</i>	1
18	21248	11-49838	Tuerca <i>Flange Serrated Nut</i>	4
19	51190	76771A2	Codo Escape <i>Exhaust Elbow Assembli 3" 0 Degree Angle</i>	1



SIE18-8549
Kit Tornillos Colector
Manifold Bolt Kit

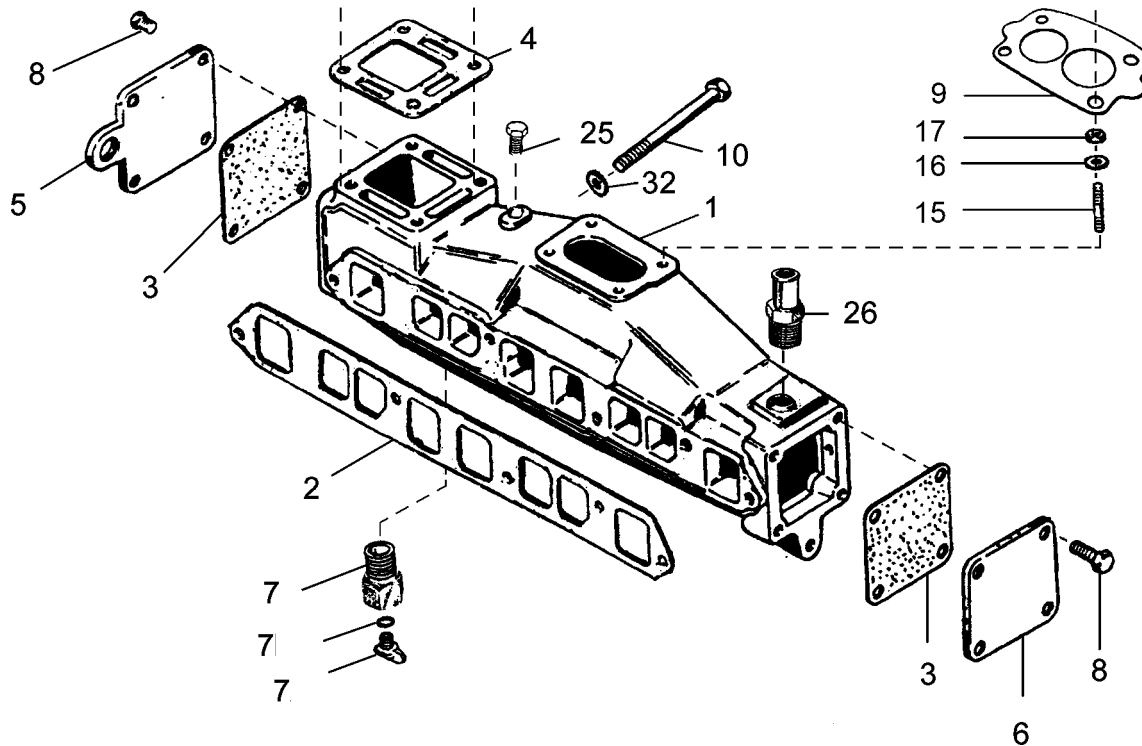
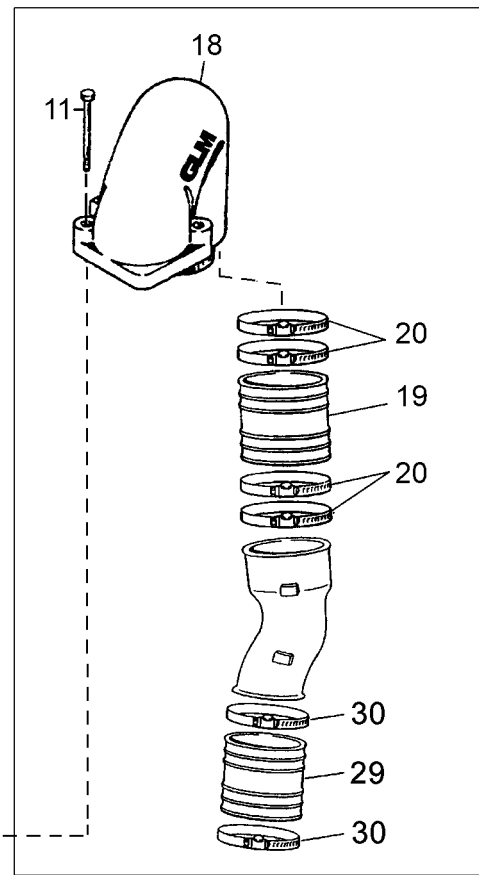
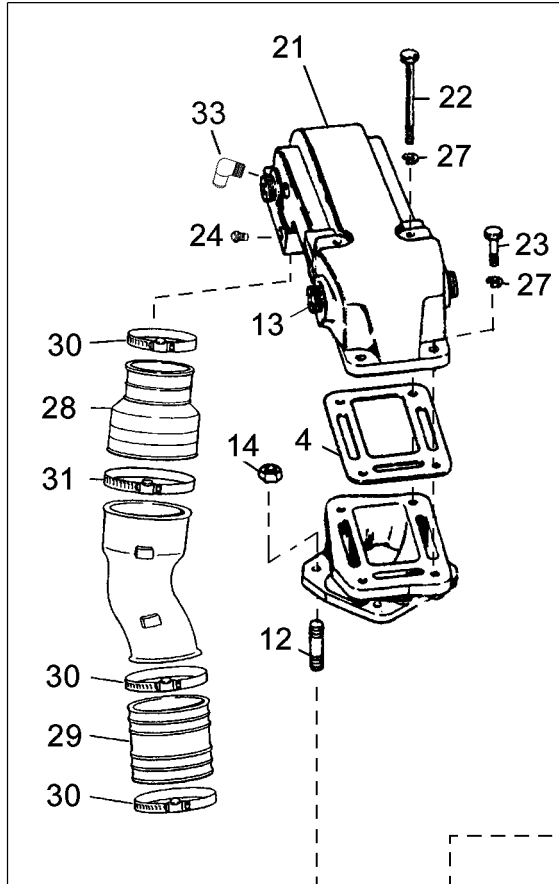


GLM53100
Para GLM51120
For GLM51120

MODELO-Model 120/140 - INLINE 4, 4-CYL. (1982-95)

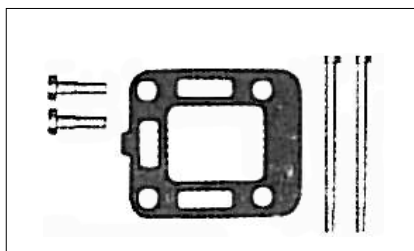
MODELO ANTIGUO-Old Stile Option

MODELO MODERNO-New Stile Option



MODEL 140-INLINE 4, GM 181 CID 4-CYL. (1968-82)

Ref. No.	GLM No.	OEM No.	Description	Qty.
1	BAMC-1-95862	95862A5	Colector <i>Exhaust Manifold Carburetor Rochester</i>	1
1	51201	806867A8	Colector <i>Exhaust Manifold Assembly</i>	1
2	33570	27-96429	Junta <i>Gasket-Exhaust Manifold</i>	1
3	30920	27-807218	Junta <i>Gasket-End Cap</i>	2
4	31520	27-99777-2	Junta <i>Gasket-Exhaust Manifold to Elbow or Adaptor</i>	2
5	51020	805620A1	Tapa <i>End Cap-Exhaust Manifold</i>	1
6	51030	73813A1	Tapa <i>End Cap-Exhaust Manifold</i>	1
7	13980	22-862557	Tornilleria <i>Straight Fitting</i>	1
8	22443	10-824941	Tornillo <i>Screw-End Cap to Exhaust Manifold</i>	8
9	32180	27-807982-1	Junta <i>Gasket-Carburetor Base (Mercab.)</i>	1
9	31660	27-64692	Junta <i>Gasket-Carburetor Base (Rochest.)</i>	1
10	21745	10-53728	Tornillo <i>Screw (New Design)</i>	3
11	22445	10-66863-1	Tornillo <i>Screw</i>	2
12	22484	16-56826	Esparrago <i>Stud</i>	4
13	21892	22-41622	Tapon <i>Plug-Exhaust Elbow</i>	4
14	21248	11-46335	Tuerca <i>Flange Serrated Nut</i>	4
15	22482	16-70236	Esparrago <i>Stud-Carburetor</i>	4
16	21664	12-20084	Tuerca <i>Washer-Carburetor</i>	4
17	19354	11-25594	Cierre <i>Lock Nut Carburetor</i>	4
18	51160	12076A2	Codo <i>Exhaust Elbow Assembly</i>	1
18	SED3092610	12076A2	Codo escape <i>Inox Stainless Steel Exhaust Elbow</i>	1
19	89120	32-44348T	Fuelle <i>Exhaust Bellow-Exhaust Elbow 4"</i>	1
20	GS38010	54-815504372	Abrazadera <i>Clamp- Bellow 4"</i>	2
21	51130	76325A2	Codo <i>Exhaust Elbow Assembly</i>	1
22	22446	1072094	Tornillo <i>Screw-Exhaust Elbow</i>	2
23	22447	10-34354	Tornillo <i>Screw-Exhaust Elbow</i>	2
24	21893	22-32802-2	Tapón <i>Plug</i>	1
25	21887	22-36382	Tapón <i>Plug</i>	1
26	13984	22-807155	Entronque <i>Straight Fitting 3/4-14 x 1 (BRASS)</i>	1
27	21493	13-35048	Arandela <i>Lockwasher</i>	4
28	89070	70981A3	Fuelle <i>Exhaust Bellow (use with 2-piece Exhaust Elbow)</i>	1
29	89090	70981A3	Fuelle <i>Exhaust Tube</i>	1
30	GS38010	54-815504456	Abrazadera <i>Hose Clamp</i>	3
31	GS38011	54-815504456	Abrazadera <i>Hose Clamp</i>	1
32	21675	12-20553	Abrazadera <i>Washer</i>	2
33	13960	N/A	Codo <i>Elbow Fitting</i>	1



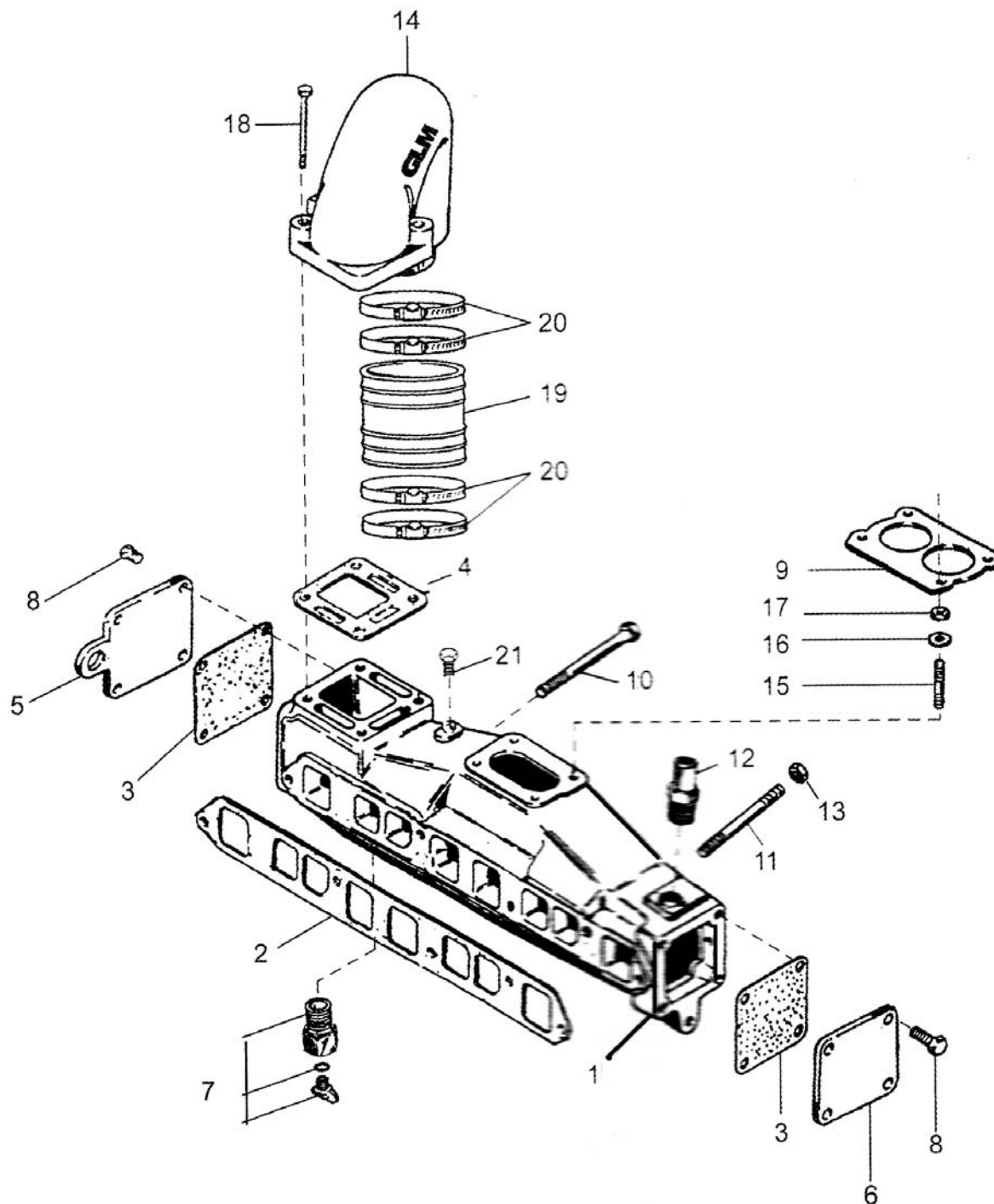
GLM53110

PARA for GLM51130

SIE18-8551

PARA for GLM51160

Modelo motor - Engine model 3.0LX/3.0L GM 181 CID 4 Cil. (1990 +)



Modelo motor - Engine model 3.0LX/3.0L GM 181 CID 4 Cil. (1990 +)

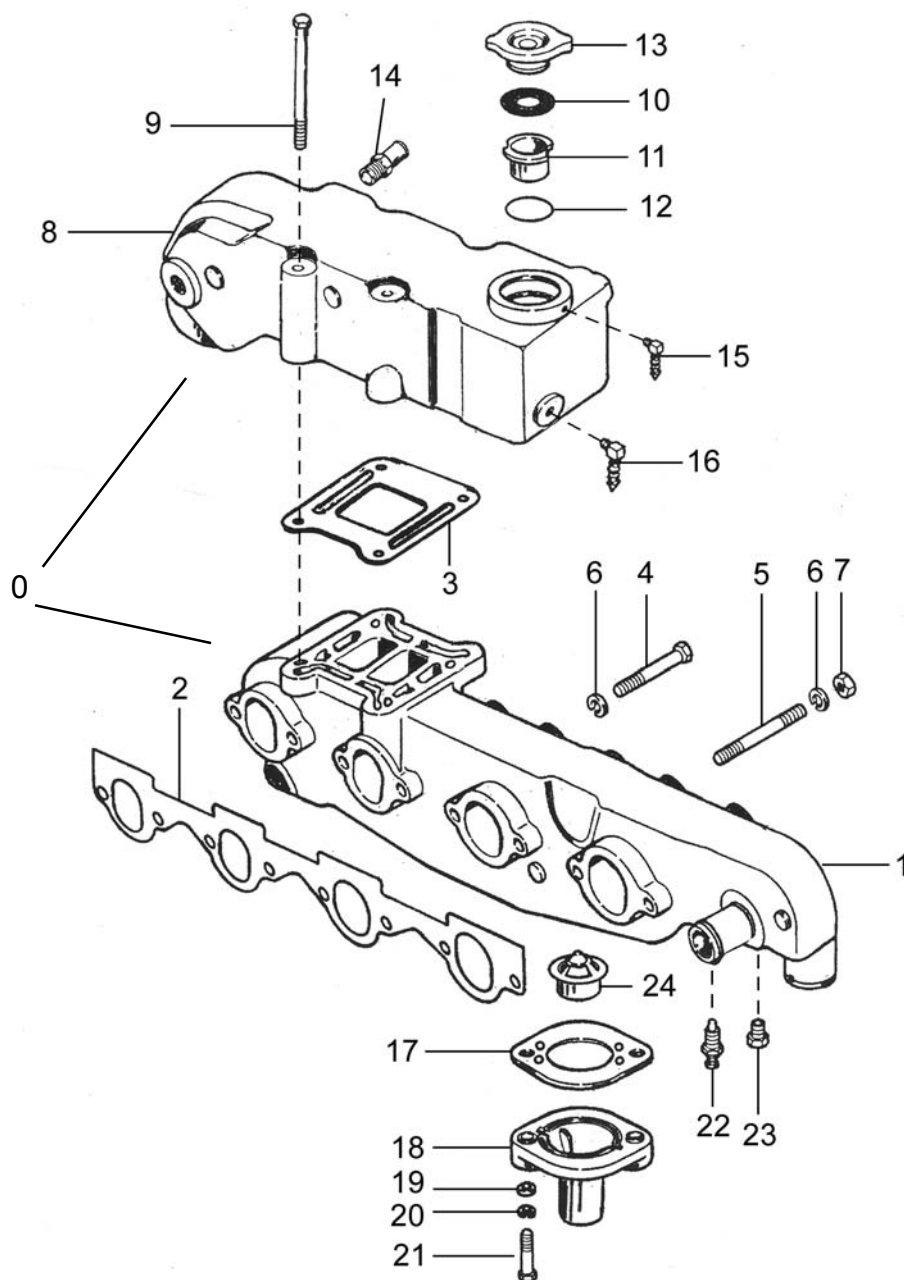
nº	GLM NO.	R.O.	DESCRIPCIÓN DESCRIPTIONS	Cant. Qty.
1	51214	806867A12	Colector <i>Exhaust Manifold Assembly</i>	1
2	33580	27-815528	Junta colector <i>Gasket - Exhaust Manifold</i>	1
2	FEL17304	27-815528	Junta colector <i>Gasket - Exhaust Manifold</i>	1
3	30920	27-807218	Junta tapa <i>Gasket - End Cap</i>	1
4	31520	27-99777-2	Junta <i>Gasket - Exhaust Manifold to Elbow</i>	1
5	51020	805629A1	Tapa <i>End Cap - Exhaust Manifold</i>	1
6	51030	73813A1	Tapa <i>End Cap - Exhaust Manifold</i>	1
7	13980	22-862557	Tornillería <i>Straight - Water Draining</i>	1
8	22443	10-824941	Tornillo <i>Screw - End Cap</i>	8
9	32180	27-807982	<i>Gasket - Carburetor Base</i>	1
10	21745	10-53728	Tornillo <i>Screw</i>	2
11	22475	16-806300	Esparrago <i>Stud</i>	3
12	13984	22-807155	Entronque bronce <i>Straight Fitting 3/4-14 X 1 (Brass)</i>	1
13	21248	11-46335	Tuerca <i>Flange Serrated Nut</i>	3
14	51160	12076A2	Codo escape <i>Exhaust Elbow Assembly</i>	1
14	SED3092610	12076A2	Codo escape Inox <i>Exhaust Elbow Assembly</i>	1
15	22482	16-70236	Esparrago <i>Stud - Carburetor</i>	4
16	21664	12-20084	Arandela <i>Washer - Carburetor</i>	4
17	19354	11-25594	Cierre <i>Locknut - Carburetor</i>	4
18	22445	10-66863-1	Tornillo <i>Screw</i>	2
19	89120	32-44348T	Fuelle escape <i>Exhaust Bellow - Exhaust Elbow 4"</i>	1
20	GS38010	54-815504372	Abrazadera fuelle <i>Clamp - Bellow 4"</i>	2
21	21887	22-36382	Tapón <i>Plug</i>	1

SIE18-8551



Modelo motor - *Engine model* 165/170/3.7L/180/190/3.7LX/470

MCM/485/488 244 CID 4 Cil. (1980-89)



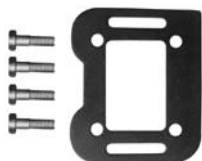
Modelo motor - Engine model 165/170/3.7L/180/190/3.7LX/470

MCM/485/488 244 CID 4 Cil. (1980-89)

nº	GLM	R.O.	DESCRIPCIÓN Description	Cant.Qty.
0	RM816219A4	816219A4	Kit codo/colector <i>Exhaust Elbow/Manifold</i>	1
1	51202	816219A5	Colector aluminio <i>Exhaust Manifold (Aluminum)</i>	1
2	31710	27-68715	Junta colector escape <i>Gasket - Exhaust Manifold</i>	1
3	32470	27-18272	Junta codo a colector <i>Gasket - Elbow to Manifold</i>	4
4	21749	10-74727	Tornillo <i>Screw</i>	3
5	22479	16-78438-5	Espárrago <i>Stud</i>	7
6	21495	13-35048	Cierre <i>Lockwasher</i>	3
7	21248	11-46335	Tuerca <i>Flange Serrated Nut</i>	1
8	51180	98562A6	<i>Exhaust Elbow and Reservoir Assembly</i>	4
8	BAMC-20-90880	90880A2	Codo para colector de hierro <i>Elbow for cast. manifold</i>	4
9	21748	10-78259	Tornillo <i>Screw</i>	1
10	30820	27-71614	Junta tapa <i>Gasket - Filler Cap</i>	1
11	21897	22-13234A1	Casquillo <i>Fitting Kit - Filler Hole</i>	1
12	80290	25-45257	Aro tórico <i>O-Ring - Filler Base</i>	1
13	13890	36-13130	Tapa <i>Cap</i>	1
14	13986	22-45084	Racor colector <i>Hose Fitting</i>	1
15	13940	22-76170	Racor codo 90° <i>Elbow Fitting 90°</i>	1
16	13930	22-99498	Racor codo 45° <i>Elbow Fitting 45°</i>	1
17	32100	27-89656-1	Junta <i>Gasket</i>	1
18	13590	89659A3	Cuerpo termostato <i>Thermostat Housing</i>	2
19	21662	12-26825	Arandela <i>Washer</i>	2
20	21496	13-39107	Cierre <i>Lockwasher</i>	2
21	23233	10-73657	Tornillo <i>Screw</i>	1
22	13830	15995	Sensor temperatura <i>Temperature Sender</i>	1
23	21894	22-32803	Tapón <i>Plug</i>	1
24	13040	99155A1	Termostato <i>Thermostat</i>	1

GLM53120

PARA COLECTOR
DE ALUMINIO
For Aluminum Manifold



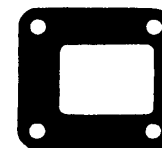
GLM53130

PARA COLECTOR
DE FUNDICIÓN
For Cast Iron Manifold



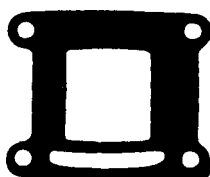
GLM32630

JUNTA CODO ESCAPE
Elbow gasket
R.O.: 27-92720



GLM32460

JUNTA CODO
Elbow gasket
R.O.: 27-97542

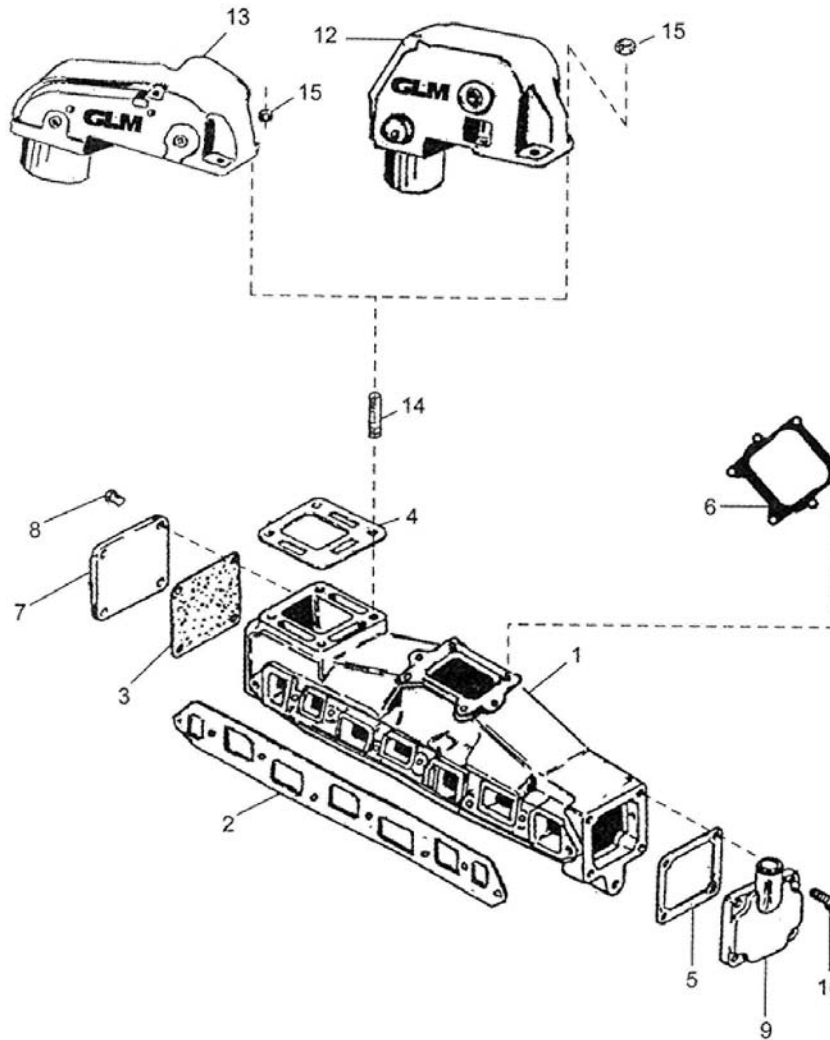


GLM32370

JUNTA CODO
Elbow gasket
R.O.: 27-89657

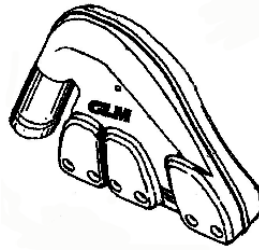


Modelo motor - Engine model 165/200 GM 250/292 CID 6 Cil. en linea in line

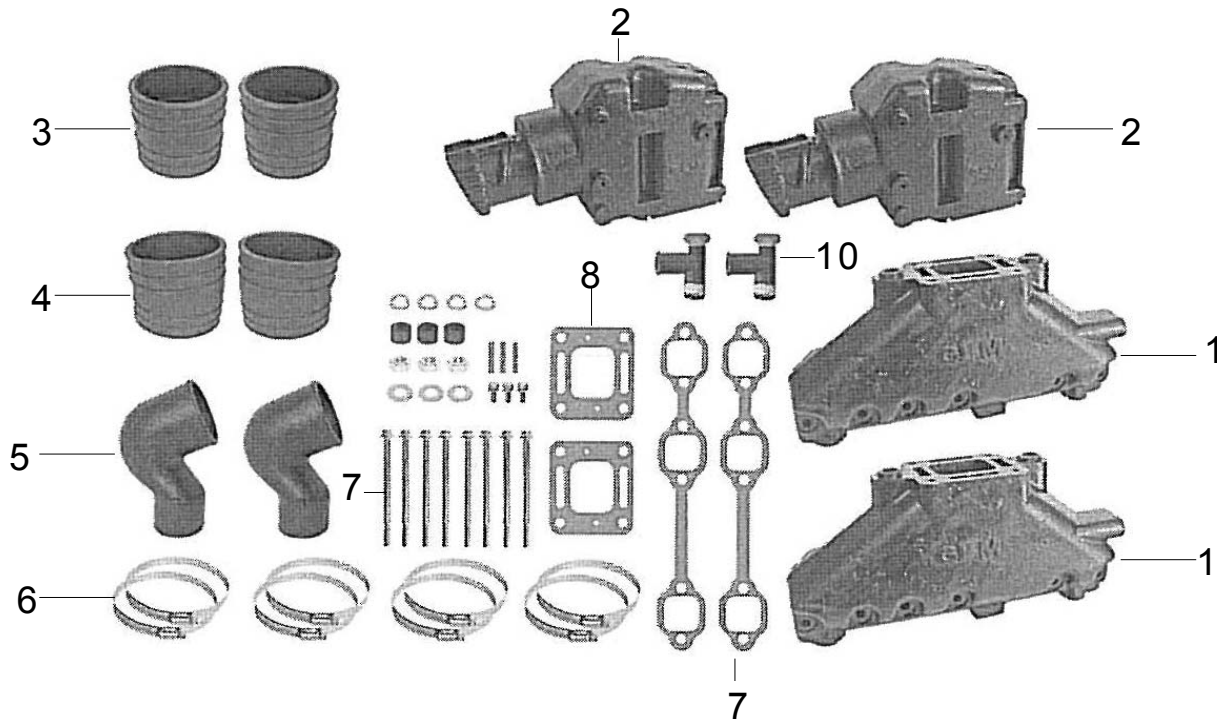


nº	GLM	R.O.	DESCRIPCIÓN Description	Cant. Qty.
1	51224	58759A14	Colector escape <i>Exhaust Manifold Assembly</i>	1
2	31440	27-46401	Junta colector escape <i>Gasket - Exhaust Manifold</i>	1
2	FEL17319	27-46401	Junta colector escape <i>Gasket - Exhaust Manifold</i>	1
3	30920	27-807218	Junta tapa <i>Gasket - End Cap</i>	1
4	31520	27-99777-2	Junta colector a codo <i>Gasket-Exhaust Manifold to Elbow</i>	1
5	31490	27-48043-1	Junta tapa <i>Gasket - End Cap</i>	1
6	30510	27-58764	Junta carburador <i>Gasket - Carburetor</i>	1
7	51030	73813A1	Tapa <i>End Cap - Exhaust Manifold Contents Ref. 3</i>	1
8	22448	10-25299	Tornillo <i>Screw - End Cap</i>	4
9	51010	60252A2	Tapa colector <i>End Cap - Exhaust Manifold</i>	1
10	21746	10-37562	Tornillo <i>Screw</i>	4
12	51120	76351A2	Codo <i>Exhaust Elbow Assembly 3" 90 Degree Angle</i>	1
13	51130	76325A2	Codo <i>Exhaust Elbow Assembly 3" 90 Degree Angle</i>	1
14	22391	16-49545	Espárrago <i>Stud</i>	4
15	21248	11-49838	Tuerca <i>Nut</i>	4

Motor - Engine 262/4.3L/4.3EFI/4.3LH/4.3LX GM 262 CID V6 (1996-2001)

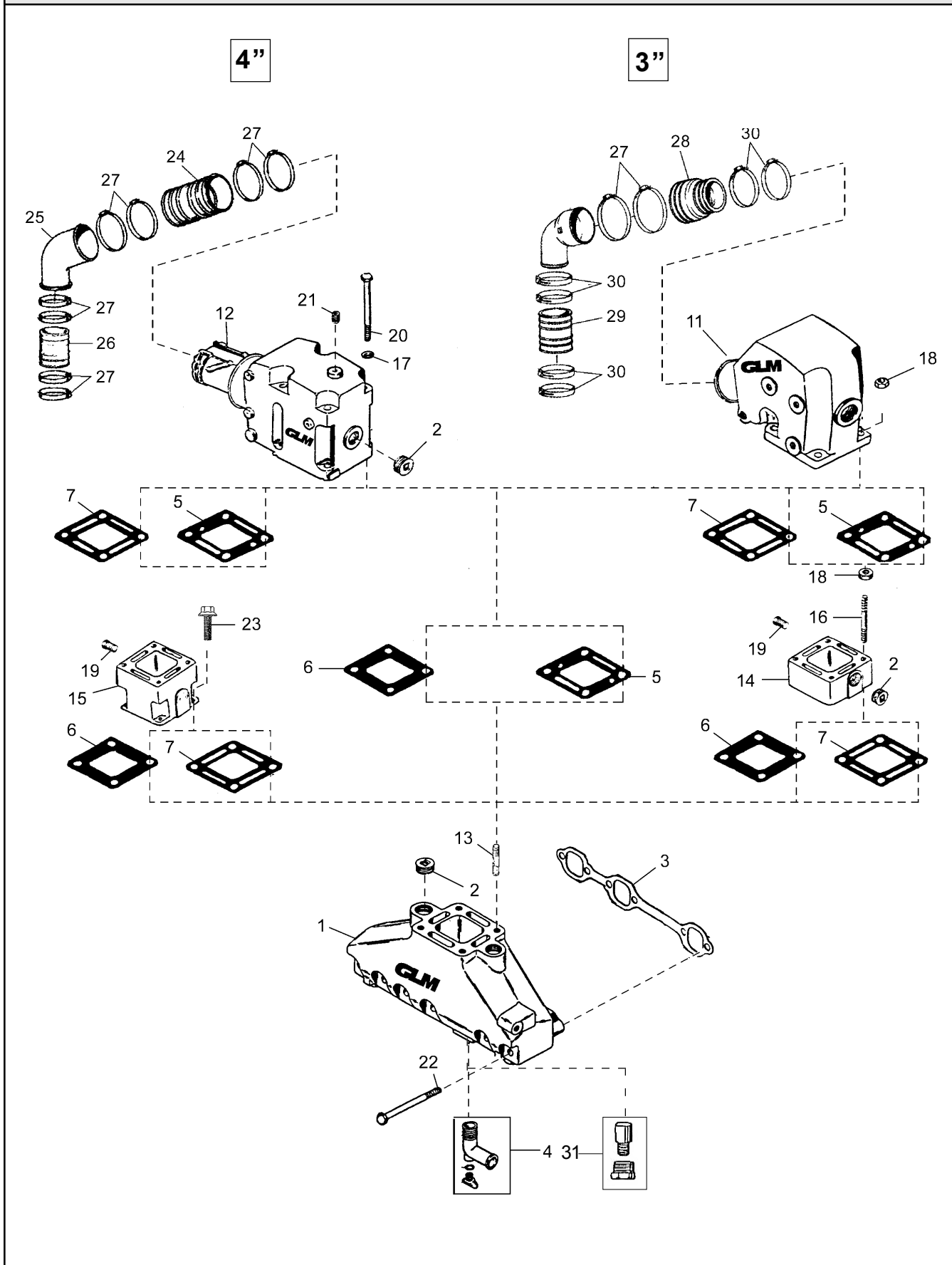


Piezas necesarias para substituir al colector-codo para V6
Needs parts to replace V6 manifold-elbow



Nº	GLM	R.O.	DESCRIPCION	CANTIDAD
1	51220	99746A17	Colector hierro <i>Iron Manifold</i>	2
1	51245		Colector Aluminio <i>Aluminium Manifold</i>	2
2	51140	807988A2	Codo hierro <i>Iron Elbow</i>	2
2	51145		Codo Aluminio <i>Aluminium Elbow</i>	2
3	89120	32-44348T	Fuelle escape serpentín <i>Upperexhaust Bellow</i>	2
4	89130	32-14358T	Fuelle escape inferior <i>Lower Exhaust Bellow</i>	2
5	50750	14478T01	Curva escape V6 <i>Exhaust elbow assy</i>	2
6	GS38011		Abrazadera Inox <i>Inox clamp</i>	4
7	32175		Kit junta y tornillos <i>Gaskets & Bolts Kit</i>	2
8	53400		Kit juntas codos y tornillos <i>Bolts & elbows Gaskets kits</i>	2
9	FEL17410	27-99757	Kit juntas colector <i>Manifold Gasket Kit</i>	1
9	32170	27-99757	Junta suelta colector <i>Manifold's Gasket</i>	2
10	13990	22-862210A01	Kit tapón y conducto <i>Hose Fitting W/Drain Plug Kit</i>	2

Modelo motor - Engine model 220-320 GM 305/350/377 CID V8 (1983 +2003)



Modelo motor - Engine model 175-205 GM 229/262 CID V6 (1983 +)

nº	GLM	R.O.	DESCRIPCIÓN Description	Cant. Qty.
1	51220	99746A17	Colector hierro <i>Manifold (Iron Casting)</i>	1
1	51225	-	Colector aluminio negro <i>Manifold (Aluminum Black)</i>	1
2	21892	22-41622	Tapón acero <i>Plug (Steel)</i>	2
2	21896	22-42861-1	Tapón bronce <i>Plug (Brass)</i>	2
3	32170	27-99757	Junta colector <i>Gasket - Exhaust Manifold</i>	1
3	FEL17410	27-99757	Kit de juntas colector <i>Gasket - Exhaust Manifold kit</i>	1
4	13990	22-806926A1	Kit tapón y conducto <i>Hose Fitting with Drain Plug Kit</i>	1
5	30240	27-863724	Junta colector circuito cerrado <i>Gasket - Manifold - Raw Water Cooling</i>	1
6	30220	27-860231	Junta colector circuito agua dulce <i>Gasket - Manifold - Fresh Water Cooling</i>	1
7	32080	27-863726	Junta <i>Gasket - Manifold and Spacers</i>	1
11	51110	98504A3	Codo hierro <i>Elbow (Iron Casting) 3" 15 Degree</i>	1
12	51140	807988A2	Codo hierro <i>Elbow (Iron Casting) 4" 7 Degree</i>	1
12	51145	-	Codo aluminio negro <i>Elbow (Al. Black) 4" 7 Degree</i>	1
12	SED3092600	807914A4	Codo inox <i>Elbow Inox</i>	1
13	22391	16-49545	Esparrago de acero <i>Stud (Steel)</i>	4
17	21493	-	Cierre acero inox para colector de aluminio <i>Lockwasher (Stainless Steel) For Aluminum Manifold</i>	4
18	21248	11-46335	Tuerca codo <i>Nut Flange Serrated Nut</i>	4
20	22381	10-43749	Tornillo <i>Screw</i>	4
21	22379	22-73379	Tapón <i>Plug</i>	1
22	21745	10-53728	Tornillo <i>Screw</i>	6
24	89120	32-44348T	Fuelle escape 4" <i>Exhaust bellow 4"</i>	1
25	50750	14478T01	Tubo 4" <i>Tube 4"</i>	1
26	89130	32-14358T	Fuelle escape <i>Exhaust bellow</i>	1
27	GS38011	54-815504372	Abrazadera <i>Clamp</i>	8
28	89070	70981A3	Fuelle escape 3" <i>Exhaust bellow 3"</i>	1
29	89090	32-9040T	Fuelle escape 3" <i>Exhaust bellow 3"</i>	1
30	GS38010	54-815504456	Abrazadera <i>Clamp</i>	6
31	12691	-	Kit Ánodo <i>Anode kit</i>	1

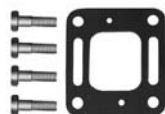
GLM32175

PARA COLECTOR GLM51220 y
For manifold GLM51225



GLM53300

PARA CODO GLM51110
For Elbow GLM51110



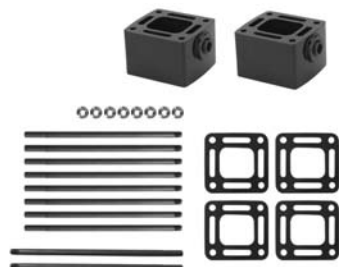
GLM53400

PARA CODO GLM51140
For Elbow GLM51140



GLM50310

KIT RISER 3"
3" Riser Kit
R.O.: 93320A5

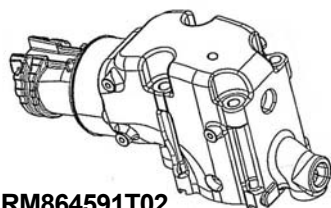


GLM50610

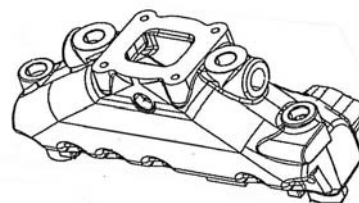
KIT RISER 6"
6" Riser Kit
R.O.: 93322A12



Motor Engine 4.3L GM262 CID V6 (2003 +)



RM864591T02
 CODO *Elbow*
 R.O.864591T02



RM864612T01
 COLECTOR *Manifold*
 R.O.864612T01



GLM32170
 JUNTA COLECTOR
manifold gasket
 R.O.27-99757

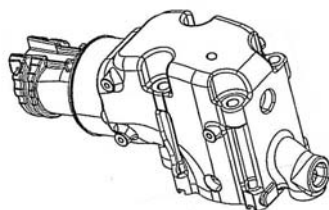
FEL17410
 KIT JUNTA COLECTOR(2 UNI)
manifold's gasket kit (2uni)
 R.O.27-99757



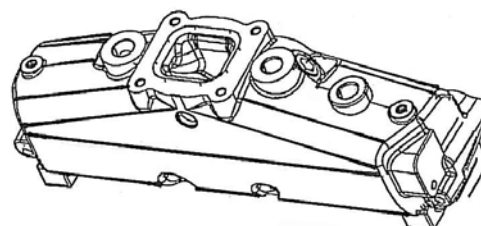
RM27-864850A02
 JUNTA CODO COLECTOR
elbow-manifold gasket
 R.O.864850A02

RM27-864549A02
 JUNTA CODO COLECTOR-CIRCUITO
 CERRADO
Gasket elbow-Riser fresh water cooled
 R.O.27-864549A02

Modelo motor Engine model 350 MAGNUM, 5.0L MPI, 6.2L MPI GM. (2003+)



RM864591T02
 CODO *Elbow*
 R.O.864591T02

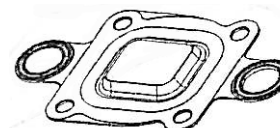


RM865735A02
 COLECTOR *Manifold*
 R.O.865735A02



GLM31100
 JUNTA COLECTOR
manifold gasket
 R.O.27-33395

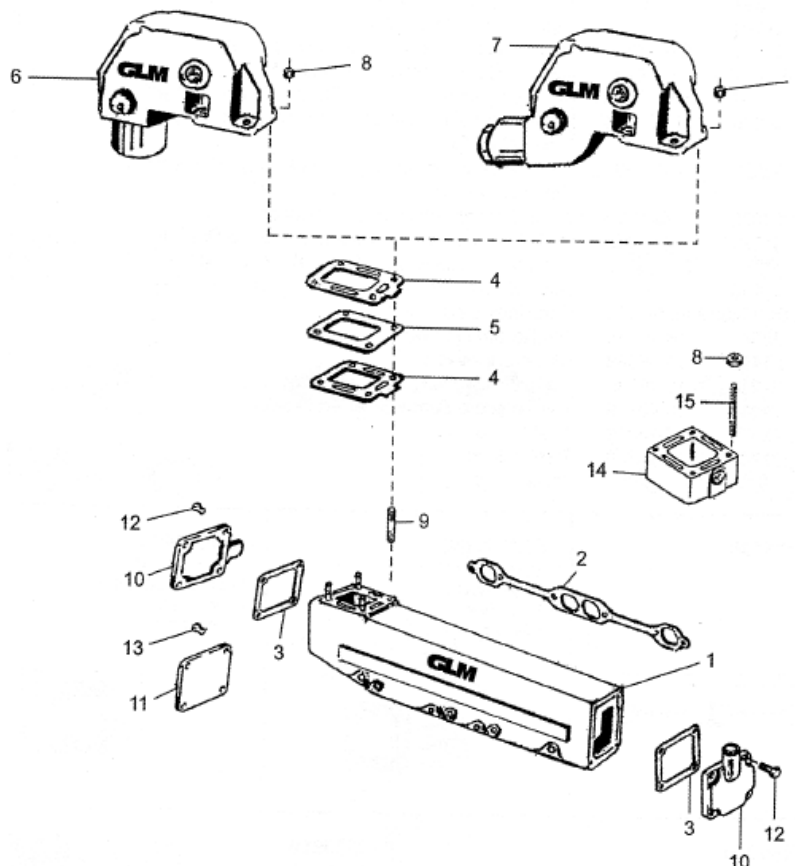
FEL17420
 KIT JUNTA COLECTOR(2 UNI)
manifold's gasket kit (2uni)
 R.O.27-33395



RM27-864850A02
 JUNTA CODO COLECTOR
elbow-manifold gasket
 R.O.864850A02

RM27-864549A02
 JUNTA CODO COLECTOR-CIRCUITO
 CERRADO
Gasket elbow-Riser fresh water cooled
 R.O.27-864549A02

Motor - Engine 198-898 GM 305/350 CID V8 (S.B) (1977-82)



nº	GLM	R.O.	DESCRIPCIÓN Description	Cant. Qty.
1	51237	77234A7	Colector babor Exhaust Manifold - Port	1
1	51238	77235A8	Colector estribor Exhaust Manifold - Starboard	1
2	31100	27-33395	Junta colector Gasket - Exhaust Manifold	1
2	FEL17420	27-33395	Kit juntas colector - Exhaust manifold kit	1
3	31490	27-48043-1	Junta tapa Gasket - End Cap	2
4	31520	27-99777-2	Junta codo Gasket - Exhaust Elbow	2
5	50006	60207	Tapa colector Plate	1
6	51120	76351A2	Codo 90° Exhaust Elbow Assembly 3" 90°	1
7	51190	76771A2	Codo 0° Exhaust Elbow Assembly 3" 0°	1
8	21248	11-49838	Tuerca codo Flange Serrated Nut	4
9	22391	16-49545	Espárrago Stud	4
10	51010	60252A2	Tapa colector End Cap - Exhaust Manifold	2
11	51030	73813A1	Tapa colector End Cap - Exhaust Manifold	1
12	22449	10-35386	Tornillo Screw - End Cap	8
13	22448	10-25299	Tornillo Screw - End Cap	4
14	50330	61851A2	Suplemento 3" Spacer 3"	1
15	22481	16-97520	Espárrago Stud	4

GLM53100

Para codos GLM51120 y 51190
For Elbow GLM51120 y 51190

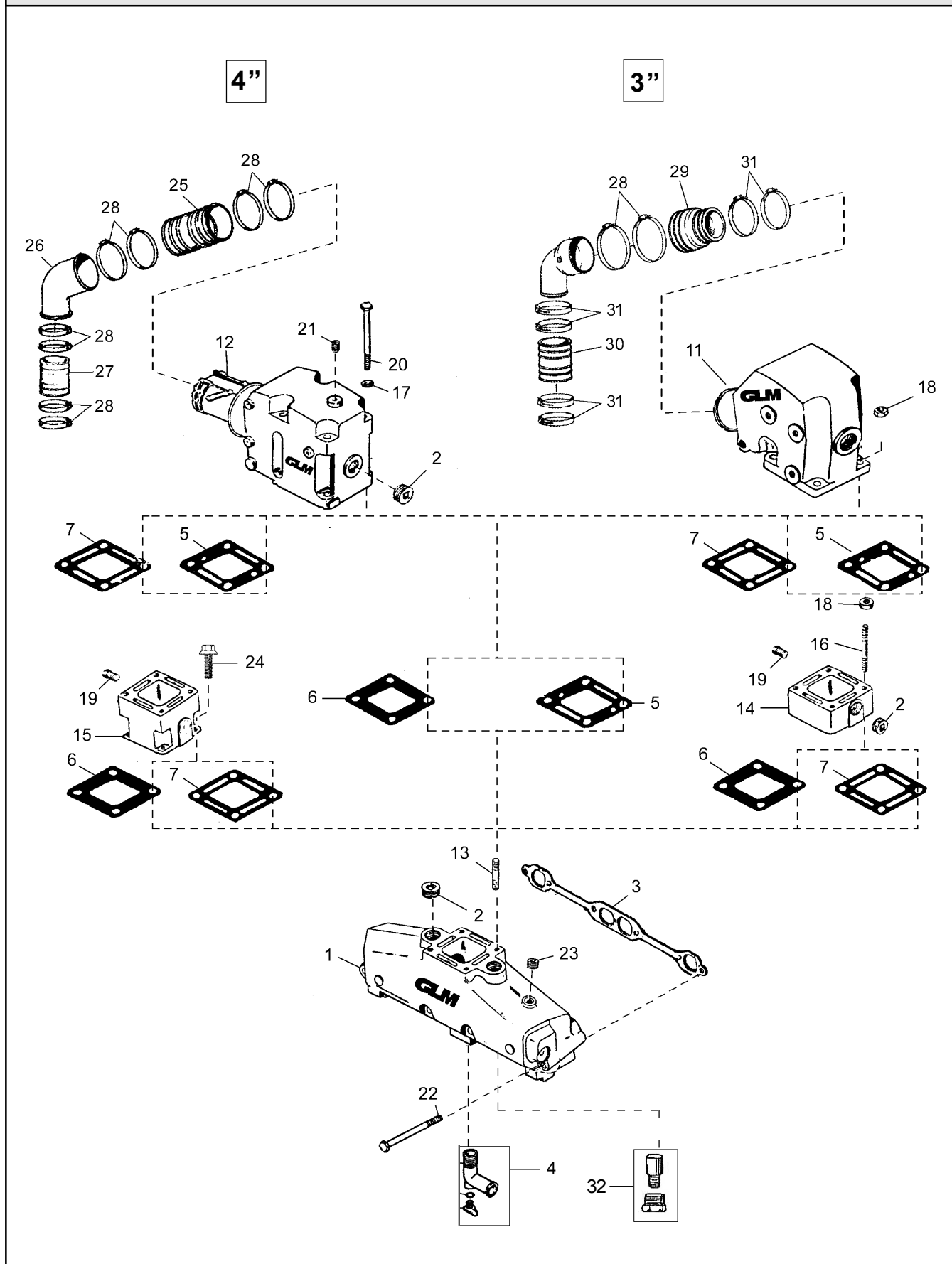


GLM31105

Para colector GLM 51237 y 51238
For Exhaust Manifold 51237 y 51238



Modelo motor - Engine model 220-320 GM 305/350/377 CID V8 (1983 +2003)



Modelo motor - Engine model 200-320 GM 305/350/377 CID V8 (1983 +)

nº	GLM	R.O.	DESCRIPCIÓN Description	Cant. Qty.
1	51230	860246A10	Colector hierro <i>Manifold (Iron Casting)</i>	1
1	51235	-	Colector aluminio negro <i>Manifold (Aluminum Black)</i>	1
2	21892	22-41622	Tapón acero <i>Plug (Steel)</i>	2
2	21896	-	Tapón bronce <i>Plug (Brass)</i>	2
3	31100	27-33395	Junta colector <i>Gasket - Exhaust Manifold</i>	1
3	FEL17420	27-33395	Kit Juntas <i>Gasket - Exhaust Manifold</i>	1
4	13990	22-806926A1	Kit tapón y conducto <i>Hose Fitting with Drain Plug Kit</i>	1
5	30240	27-863724	Junta colector circuito cerrado <i>Gasket - Manifold - Raw Water Cooling</i>	1
6	30220	27-860231	Junta colector circuito agua dulce <i>Gasket - Manifold - Fresh Water Cooling</i>	1
7	32080	27-863726	Junta <i>Gasket - Manifold and Spacers</i>	1
11	51110	98504A3	Codo hierro <i>Elbow (Iron Casting) 3" 15 Degree</i>	1
12	51140	807988A2	Codo hierro <i>Elbow (Iron Casting) 4" 7 Degree</i>	1
12	51145	-	Codo aluminio negro <i>Elbow (Al. Black) 4" 7 Degree</i>	1
12	SED3092600	807914A1	Codo inox <i>Elbow Inox</i>	1
13	22391	16-49545	Tornillo <i>Stud (Steel)</i>	1
17	21493	13-35048	Cierre <i>Lockwasher</i>	4
18	21248	11-46335	Tuerca codo <i>Flange Serrated Nut</i>	4
20	22381	10-43749	Tornillo acero <i>Screw Steel Zinc Plated</i>	4
21	22379	22-73379	Tapón <i>Plug</i>	1
22	21745	10-53728	Tornillo <i>Screw</i>	4
23	21899	-	Tapón <i>Plug</i>	1
24	22355	10-53728	Tornillo <i>Screw</i>	1
25	89120	32-44348T	Fuelle escape 4" <i>Exhaust bellow</i>	1
26	50750	14478T01	Tubo <i>Tube</i>	1
27	89130	32-14358T	Fuelle escape 4" <i>Exhaust bellow</i>	1
28	GS38011	54-815504372	Abrazadera <i>clamp</i>	1
29	89090	70981A3	Fuelle escape 3" <i>Exhaust bellow</i>	1
30	89070	32-90949T	Fuelle escape 3" <i>Exhaust bellow</i>	1
31	GS38010	54-815504456	Abrazadera <i>clamp</i>	1
32	12691	-	Kit Anodo <i>Anode kit</i>	1

GLM31105



GLM53300

PARA CODO 3" SIN ESPACIADOR
3 Inch Riser without Spacer



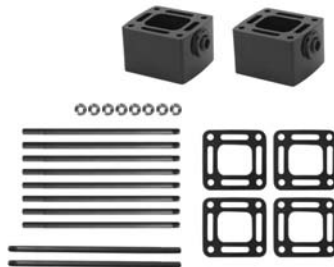
GLM53400

PARA CODO 4" SIN ESPACIADOR
4 Inch Riser without Spacer



GLM50310

KIT RISER 3"
3" Riser Kit
R.O.: 93320A5



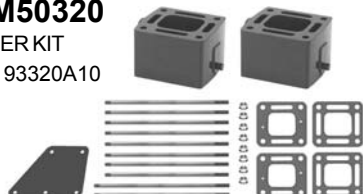
GLM50610

KIT RISER 6"
6" Riser Kit
R.O.: 93322A12



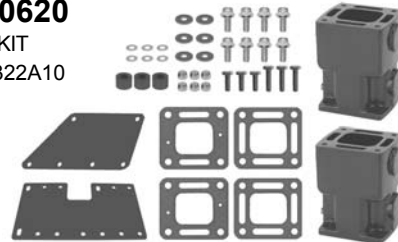
GLM50320

3" RISER KIT
OEM: 93320A10



GLM50620

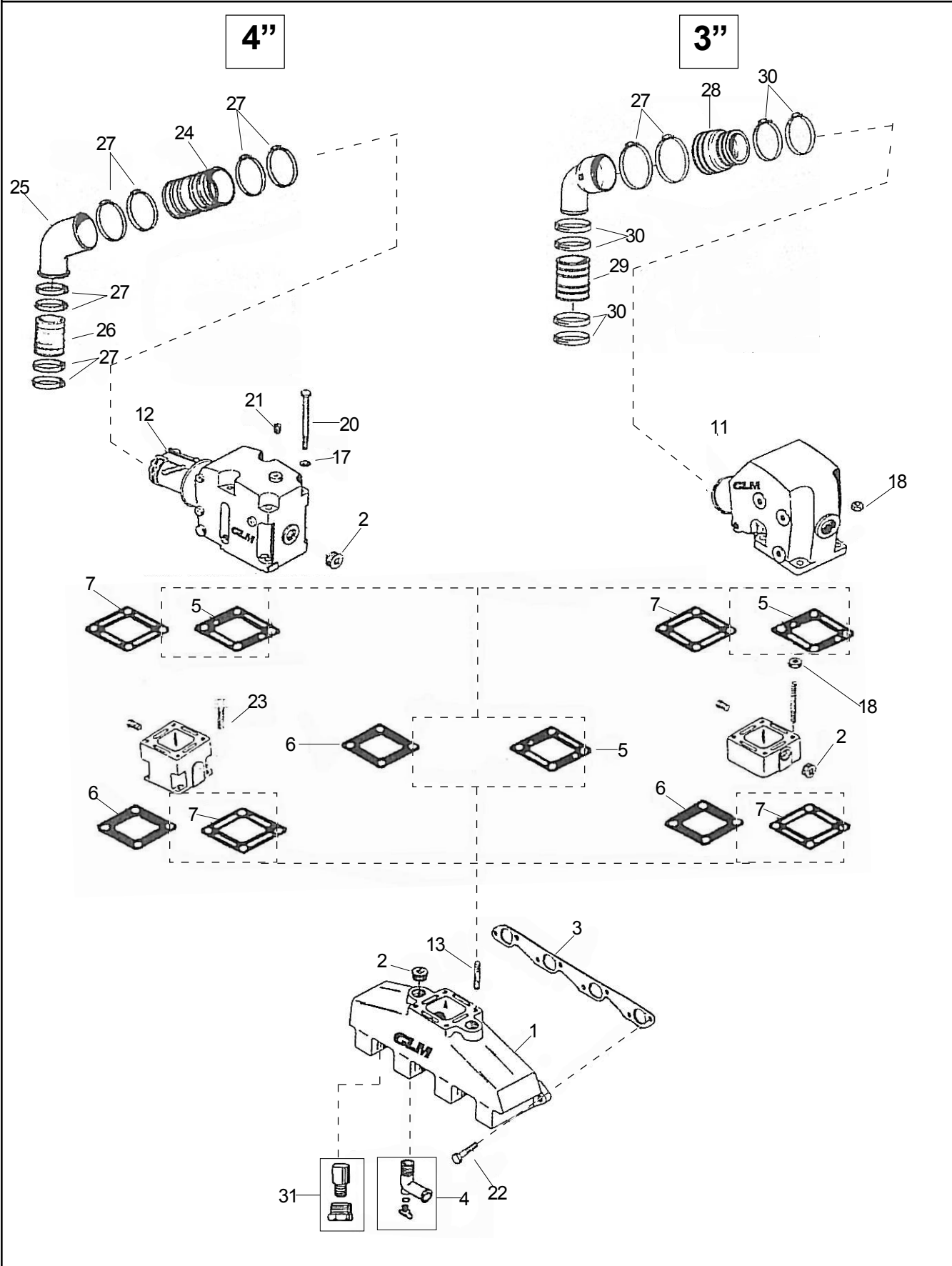
6" RISER KIT
OEM: 93322A10



Fits: 2001-02 MCM 4.3L MPI (0M300000-0M614999), 2001-02 MCM V8 (305, 350 & 377 CID) MPI engine (0M300000-0M599999), 2001-02 MIE & Ski V8 (350 & 377 CID) MPI engines (0M300000-0M316999). Fits only the above engines with cast iron elbows.

Fits: 2001-02 MCM 4.3L (0M300000-0M314999), 2001-02 MCM V8 (305, 350 & 377 CID) MPI engine (0M300000-0M599999), 2001-02 MIE & Ski V8 (350 & 377 CID) MPI engines (0M300000-0M316999).

MODEL 330-370, V8 (B.B.), GM 454/502 CID (1981 & AFTER)



MODEL 330-370, V8 (B.B.), GM 454/502 CID (1981 & AFTER)

nº	GLM	R.O.	DESCRIPCIÓN Description	Cant. Qty.
1	51240	807078A6	Colector hierro <i>Exhaust Manifold Assembly (Iron)</i>	1
1	51245	-	Colector aluminio negro <i>Exhaust Manifold (Alum Black)</i>	1
2	21892	22-41622	Tapón acero <i>Plug (Steel)</i>	2
2	21896	-	Tapón bronce <i>Plug (Brass)</i>	2
3	33760	27-46820	Junta colector <i>Gasket-Exhaust Manifold</i>	1
3	FEL17440	27-46820	Kit Juntas colector <i>Gasket-Exhaust Manifold</i>	1
4	13990	22-806926A1	Kit tapón y conducto <i>Hose Fitting with Drain Plug Kit</i>	1
5	30240	27-863724	Junta colector circuito cerrado <i>Gasket-Exhaust Manifold-Raw Water Cooling</i>	1
6	30220	27-860231	Junta colector circuito agua dulce <i>Gasket-Exhaust Manifold-Fresh Water Cooling</i>	1
7	32080	27-863726	Junta <i>Gasket-Exhaust Manifold and Spacers</i>	1
11	51110	98504A3	Codo hierro <i>Exhaust Elbow (Iron Casting) 3", 15 Degree</i>	1
12	51140	807988A2	Codo hierro <i>Exhaust Elbow (Iron Casting) 4", 7 Degree</i>	1
12	51145	-	Codo aluminio negro <i>Elbow (Aluminum Black) 4", 7°</i>	1
12	SED3092600	807988A2	Codo Inox <i>Exhaust Elbow Inox</i>	1
13	22391	16-49545	Espárrago <i>Stud 3/8 X 1 3/4</i>	4
17	21493	13-35048	Cierre <i>Lockwasher</i>	4
18	21248	11-46335	Tuerca <i>Flange Serrated Nut</i>	4
20	22381	10-43749	Tornillo <i>Screw - Steel Zinc Plated</i>	4
21	22379	22-73379	Tapón <i>Plug</i>	1
22	21747	10-37612	Tornillo <i>Screw</i>	8
23	22355	10-12244	Tornillo <i>Screw</i>	4
24	89120	32-44348T	Fuelle escape4" <i>Exhaust bellow 4"</i>	1
25	50750	14478T01	Tubo <i>Tube</i>	1
26	89130	32-14358T	Fuelle escape4" <i>Exhaust bellow 4"</i>	1
27	GS38011	54-815504372	Abrazadera <i>clamp</i>	10
28	89070	70981A3	Fuelle escape3" <i>Exhaust bellow 3"</i>	1
29	89090	32-90949	Fuelle escape3" <i>Exhaust bellow 3"</i>	1
30	GS38010	54-815504456	Abrazadera <i>clamp</i>	6
31	12693	-	Kit Ánodo <i>Anode kit</i>	1

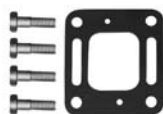
GLM33765

PARA COLECTOR 51240
For manifold 51240



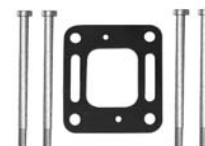
GLM53300

PARA CODO 3" SIN
ESPACIADOR
*3 Inch Riser
without Spacer*



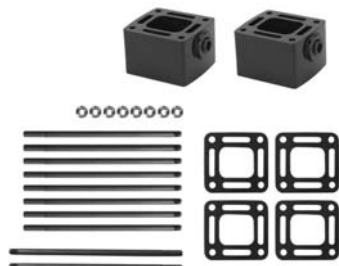
GLM53400

PARA CODO 4"
SIN ESPACIADOR
*4 Inch Riser
without Spacer*



GLM50310

KIT RISER 3"
3" Riser Kit
R.O.: 93320A5



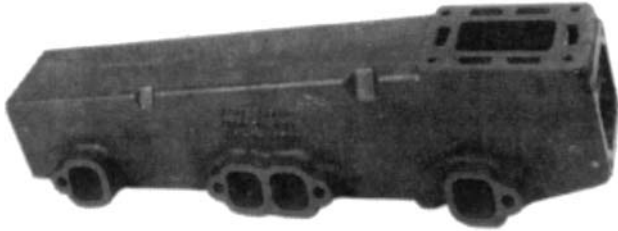
GLM50610

KIT RISER 6"
6" Riser Kit
R.O.: 93322A12



Modelos - Models V8 small block 225, 250, 255, 270 y 280

BAMC1-47737
COLECTOR BABOR
Port manifold
R.O.: 47737A1



BAMC1-47738
COLECTOR ESTRIBOR
Stdb. manifold
R.O.: 47738A1

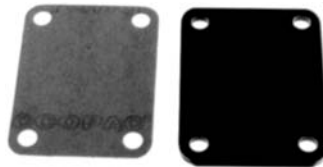
GLM51196
CODO - *Elbow*
R.O.: 72963A9



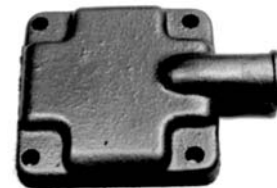
BAMC20-76668
CODO
Elbow
R.O.:76668A3



GLM51030
TAPA COLECTOR
End cap manifold
R.O.: 548870, 73813A1



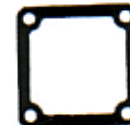
GLM51010
TAPA COLECTOR
End cap manifold
R.O.: 60252A2



GLM31480
JUNTA - *Gasket*
R.O.: 27-48042



GLM31490
JUNTA - *Gasket*
R.O.: 27-48043 1



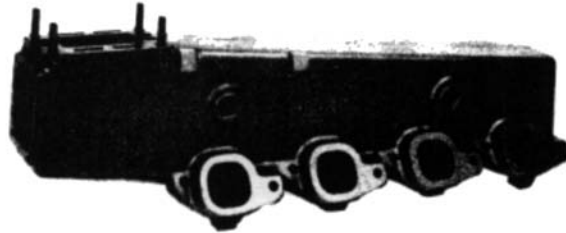
FEL17420
KIT JUNTAS COLECTOR
Manifold Gasket set
R.O.:27-33395

GLM31101
JUNTA COLECTOR
Manifold Gasket
R.O.:27-33395



Modelos Models V8 big block 325, 330, 350, 370 y 400

BAMC1-47735
COLECTOR BABOR
Port manifold
R.O.: 47735A1



BAMC1-47736
COLECTOR ESTRIBOR
Stdb. manifold
R.O.: 47736A1

BAMC20-72963
CODO - *Elbow*
R.O.: 72963A9



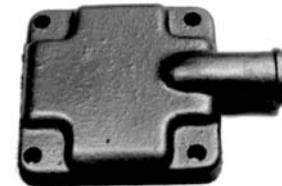
BAMC20-76668
CODO- *Elbow*
R.O.: 76668A3



GLM51030
TAPA - *End cap*
R.O.: 54870, 73813A1



GLM51010
TAPA - *End cap*
R.O.: 60252A2



GLM31490
JUNTA - *Gasket*
R.O.: 27-48043 1



GLM31480
JUNTA - *Gasket*
R.O.:27-48042



FEL17440
KIT JUNTAS COLECTOR
Manifold gasket set
R.O.:27-46820

GLM33760
JUNTA COLECTOR
Manifold gasket
R.O.:27-46820



Modelos Models V8 FORD small block 188, 215, 223, 225, 255 y 888

A/P5510

COLECTOR ESTRIBOR
Stbd. manifold
R.O.: 65604A4

A/P5511

COLECTOR BABOR
Port manifold
R.O.: 65603A4, 65603A12

GLM33795

KIT TORNILLOS COLECTOR
Hardware mounting kit



GLM51190

CODO - *Elbow*
R.O.: 76771A2

GLM53100

KIT TORNILLOS CODO
Hardware mounting kit



GLM51120

CODO - *Elbow*
R.O.: 60426A1, 76351A2

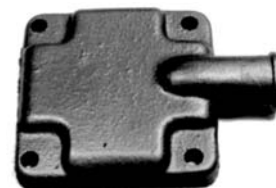
GLM53100

KIT TORNILLOS CODO
Hardware mounting kit



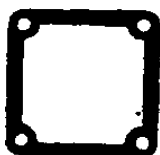
GLM51010

TAPA COLECTOR
End cap manifold
R.O.: 60252A2



GLM31490

JUNTA - *Gasket*
R.O.: 27-48043 1



GLM31520

JUNTA - *Gasket*
R.O.: 27-99777, 27-52076



FEL17460

KIT JUNTAS COLECTOR
Manifold gasket set
R.O.: 27-73866



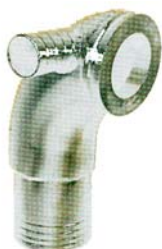
GLM33790

JUNTA COLECTOR
Manifold gasket
R.O.: 27-73866

CODOS INOX MCM DIESEL - *Elbow inox MCM diesel*

SED3092000

CODO DE ESCAPE EN
ACERO INOX 316
*316 Stainless steel
exhaust elbow*
MCM Diesel:
2.8L, D254, D3.6L, D4.2L
R.O.: 805602A2



SED3093300

CODO INOX 316 ESCAPE OVALADO
316 SS elbow oval exhaust
MCM Diesel:
530DTA, 636, D183, D2.8L
D219, D254, D3.0L, D3.6L, D4.2L
R.O.: 805602A2



SED3093301

CODO DE ESCAPE EN ACERO INOX
Stainless steel exhaust elbow
MCM Diesel
D183T / D219T
D530TA
R.O 801763206



SIE18-1992-1

CODO ALUMINIO 80° DE 3" DE DIÁMETRO
Aluminum 80° elbow 3" diameter



KITS MONTAJE CODOS - Exhaust elbow mounting kits		
<p>GLM53100 PARA CODOS for GLM51120 & GLM51190 Elbows</p>	<p>GLM53110 PARA CODOS for GLM51130 Elbow</p>	<p>GLM53120 PARA COLECTOR DE ALUMINIO For Aluminum Manifold</p>
<p>GLM53130 PARA COLECTOR DE FUNDICIÓN For cast iron manifold</p>	<p>GLM53300 PARA CODO 3" SIN SUPLEMENTO CIRCUITO AGUA SALADA 3 Inch Riser without Spacer raw water cooling</p>	<p>GLM53400 PARA CODO 4" SIN SUPLEMENTO CIRCUITO AGUA SALADA 4 Inch Riser without Spacer raw water cooling</p>
KITS SUPLEMENTOS - Riser kits		
<p>GLM50310 KIT RISER 3" 3" Riser Kit R.O.: 93320A5</p>	<p>GLM50610 KIT RISER 6" 6" Riser Kit R.O.: 93322A12</p>	
KITS MONTAJE COLECTORES - Exhaust manifold mounting kits		
<p>GLM32175 GM V6</p>	<p>GLM31105 GM V8 BLOQUE PEQUEÑO Small block</p>	
<p>GLM33765 GM V8 BLOQUE GRANDE Big block</p>	<p>GLM33795 FORD V8</p>	
<p>GLM50017 BRACKET RISER 3" R.O. 863714T01 MCM 4'3 MPI N°: M-OM300000-OM614999 MCM V8 (305-350 y 377 CID) MPI N° OM300000-OM619999 MIE y SKI V8 - 2001-2002 N° OM300000-OM316999</p>	<p>GLM50018 BRACKET RISER 6" R.O. 863715T01 MCM 4'3 N°: OM300000-OM314999 MCM V8 (305-350 y 377 CID) MPI N° OM300000-OM599999 MIE y SKI V8 - 2001-2002 N° OM300000-OM316999</p>	